

Aisin AW TR-60SN*

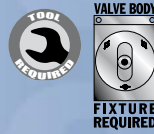
*Also fits VW/Audi 09D

sonnax®

TIME TESTED • INDUSTRY TRUSTED®

1 Automatic Drive • P.O. Box 440 • Bellows Falls, VT 05101-0440 USA
(800) 843-2600 • (802) 463-9722 • F: (802) 463-4059 • www.sonnax.com

1 25741-29K Lockup Clutch Control Valve Kit



Helps cure:

- Overheated fluid
- RPM surge on coast
- Harsh downshifts
- TCC apply & release concerns

Note: Requires tool kit F-25741-TL29 & the VB-FIX reaming fixture.

2 25741-34K Lockup Clutch Control Plunger Valve Kit

Helps cure:

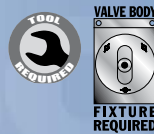
- TCC apply & release concerns
- RPM surge on coast
- RPM surge on light acceleration
- TCC codes

3 25741-36K Secondary Pressure Regulator Boost Valve Kit

Helps cure:

- TCC slip
- TCC surge
- Bushing wear

4 25741-01K Oversized Pressure Regulator Valve Kit

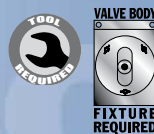


Helps cure:

- Bushing failure
- Overheated fluid & TCC lining
- High line pressure in Reverse

Note: Requires tool kit F-25741-TL & the VB-FIX reaming fixture.

5 25741-11K Secondary Pressure Regulator Valve Kit

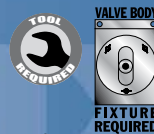


Helps cure:

- Overheated fluid, bushings & converter
- Harsh Reverse
- Poor shift quality

Note: Requires tool kit F-25741-TL11 & the VB-FIX reaming fixture.

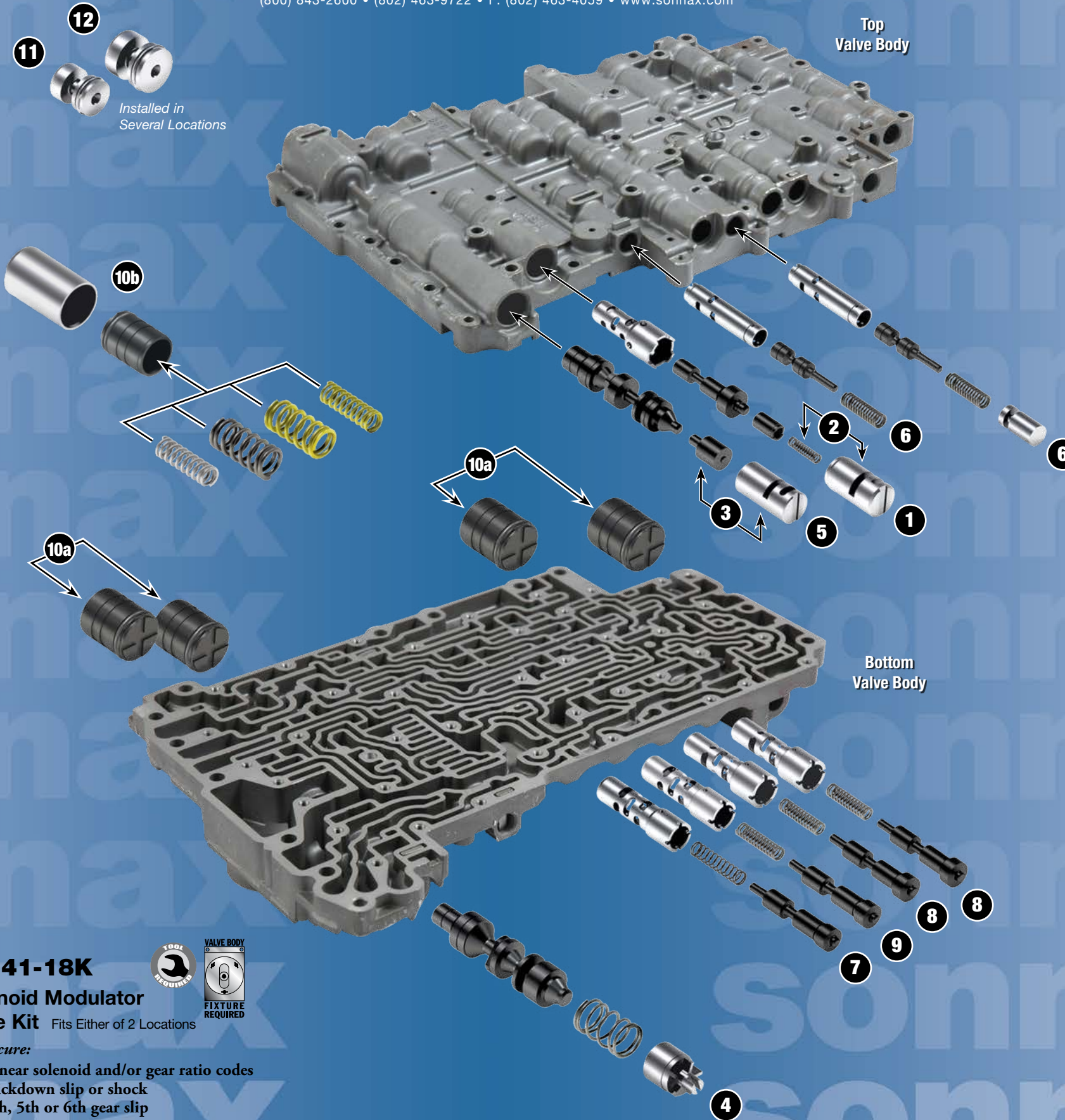
6 25741-18K Solenoid Modulator Valve Kit



Helps cure:

- Linear solenoid and/or gear ratio codes
- Kickdown slip or shock
- 4th, 5th or 6th gear slip

Note: Requires tool kit F-25741-TL18 & the VB-FIX reaming fixture.



Top Valve Body

Bottom Valve Body

7 25741-25K K1 Clutch Control Valve Kit



Helps cure:

- Flare upshifts
- Downshift bind-ups
- Excess clutch overlap & clutch distress

Note: Requires tool kit F-25741-TL25 & the VB-FIX reaming fixture.

8 25741-05K K2 Clutch/B1 Brake Control Valve Kit



Fits Either of 2 Locations

Helps cure:

- Flare shifts
- Harsh downshifts
- Brake distress

Note: Requires tool kit F-25741-TL5 & the VB-FIX reaming fixture.

9 25741-08K K3 Clutch Control Valve Kit



Helps cure:

- Flare upshifts
- Downshift bind-ups
- Excess clutch overlap & clutch distress

Note: Requires tool kit F-25741-TL8 & the VB-FIX reaming fixture.

10a 15741-14K

Fits Either of 4 Locations

Accumulator Piston Kit

Helps cure:

- Delayed engagements
- Slipping forward gears
- Burnt bands/clutches

10b 39741-42K

Fits Either of 4 Locations

Accumulator Piston Kit

Helps cure:

- Severe wear at accumulator bore
- Loss of clutches and/or TCC/EPC oil pressure

11 15741-35K

5 Small, 9mm

12 15741-36K

5 Large, 11mm

O-Ringed End Plug Kits

Helps cure:

- Various shift complaints

Note: These kits fit multiple locations.

©2017 Sonnax Industries, Inc.

The Sonnax products listed here may be protected by one or more patents, or be patent pending.