

Jatco/Nissan

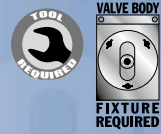
# JF015E (RE0F11A)

# sonnax®

TIME TESTED • INDUSTRY TRUSTED®

1 Automatic Drive • P.O. Box 440 • Bellows Falls, VT 05101-0440 USA  
(800) 843-2600 • (802) 463-9722 • F: (802) 463-4059 • www.sonnax.com

**1 33741F-04K**  
**Oversized Torque Converter Lube Regulator Valve Kit**

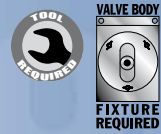


*Helps cure:*

- Engine stall on engagement
- No lockup
- Overheated fluid

**Note:** Requires tool kit F-33741F-TL4 & the VB-FIX reaming fixture.

**2 33741F-03K**  
**Oversized Solenoid Regulator Valve Kit**

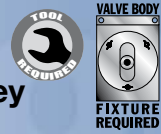


*Helps cure:*

- Low solenoid feed pressure
- No ratio change
- Chatter on acceleration

**Note:** Requires tool kit F-33741F-TL3 & the VB-FIX reaming fixture.

**3 33741F-02K**  
**Oversized Primary Pulley Regulator Valve Kit**

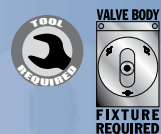


*Helps cure:*

- Chatter on acceleration
- High line pressure
- Slips in Forward & Reverse

**Note:** Requires tool kit F-33741F-TL2 & the VB-FIX reaming fixture.

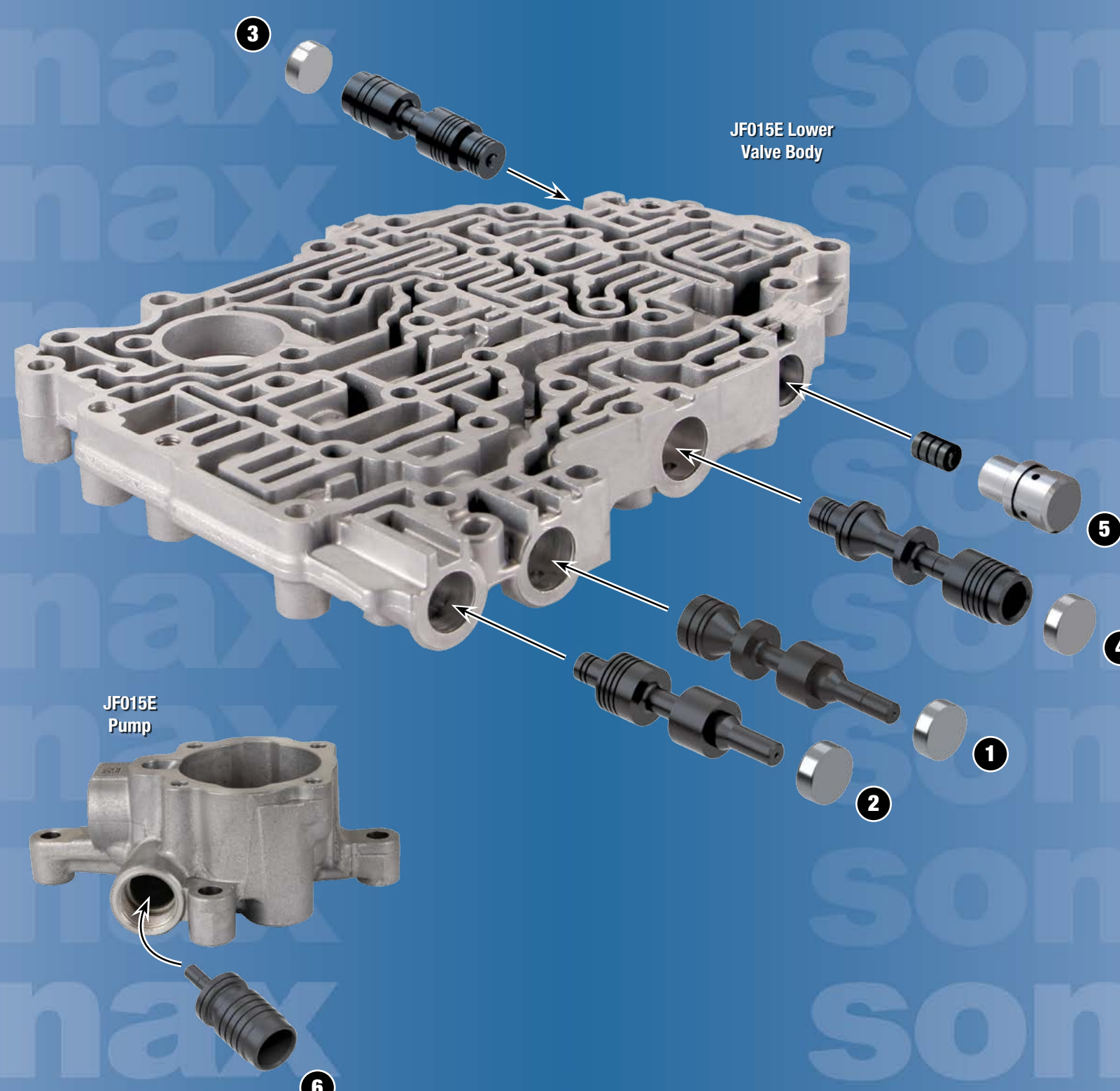
**4 33741F-01K**  
**Oversized Secondary Pulley/Pressure Regulator Valve Kit**



*Helps cure:*

- Push belt slippage
- Chatter on acceleration
- RPM surge

**Note:** Requires tool kit F-33741F-TL & the VB-FIX reaming fixture.

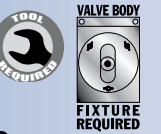


**5 113741-11K**  
**Lockup Control Plunger Valve Kit**

*Helps cure:*

- TCC apply & release concerns
- TCC lining failure
- No lockup

**6 33510N-01** Oversized  
**33510N-02**  
**Pump Flow Control Valve**



*Helps cure:*

- Delayed engagement
- Low pump volume
- Push belt slippage

**Note:** Requires tool kit F-33510-TL & the VB-FIX reaming fixture.