

Miscellaneous

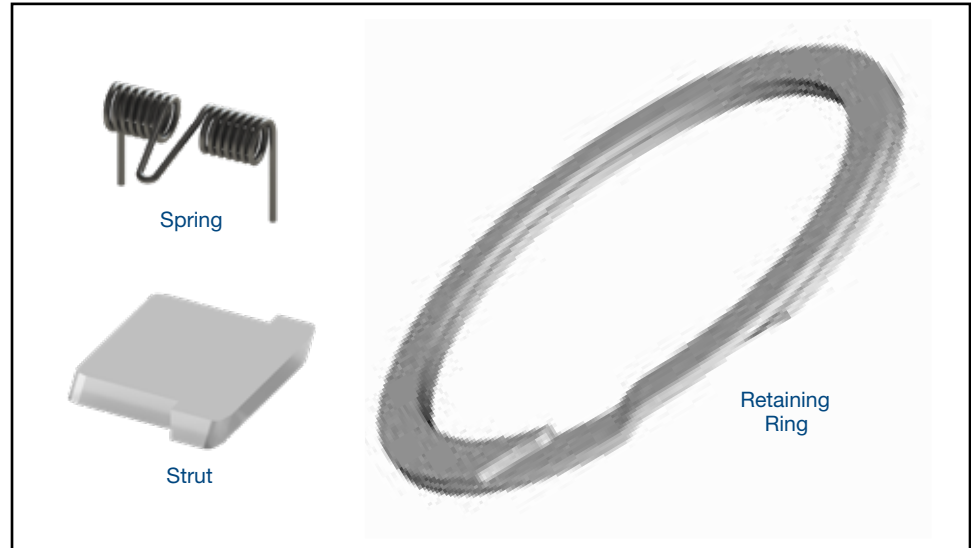
Refresher Kit

Part No. GM-MD-RK10

- Struts (10)
- Springs (10)
- Retaining Ring

Applications

- GM-MD-10S
- GMFD-MD-10S
- GMFD-MD-10SB
- GM-MD-6-2



GM-MD-RK10 mechanical diode refresher kit is used to service all Sonnax mechanical diodes with dual-strut engagement.

Installation Instructions

1. Place the core on a suitable work area with the spring and strut cavities facing up. The spring and strut cavities have two levels (**Figure 1**).

NOTE: Proper positioning of the spring and strut are critical for correctly assembling the unit.

2. Orient the spring as shown (**Figure 2**). When installed correctly, the spring will look like the one shown (**Figure 1**).
3. The strut is basically square-shaped with two tabs. Note the two tabs are different widths (**Figure 3**). Installing the small and large tab in the matching small and large cavities positions the strut for correct operation. Install the strut with the smaller tab inboard on the hub and the larger tab outboard on the hub.

NOTE: The load-bearing edges of the strut are angled and should appear as shown (**Figure 4**) when installed.

4. Place the notch plate with the spiral ring groove (ring groove facing down) onto the core. You will begin to feel spring tension as the plate comes into contact with the struts. Continue pushing the plate down until the springs are fully compressed. Hold the two parts firmly together and turn the assembly over to expose the spiral ring groove. If the ring groove is not visible, the springs and struts are not installed correctly.
5. Continue holding the parts together and install the spiral retaining ring.

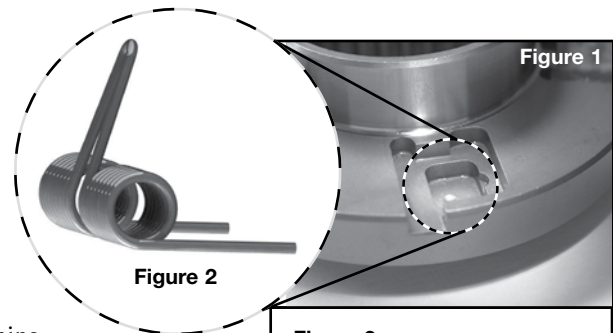


Figure 3
Narrow tab goes towards inside.

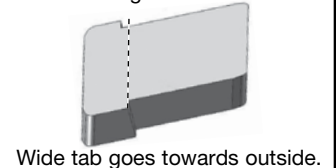


Figure 4

