

Oversized Pump Flow Control Valve

Part No.
113741-07



Tool Kit

Part No.
F-113741-TL7C

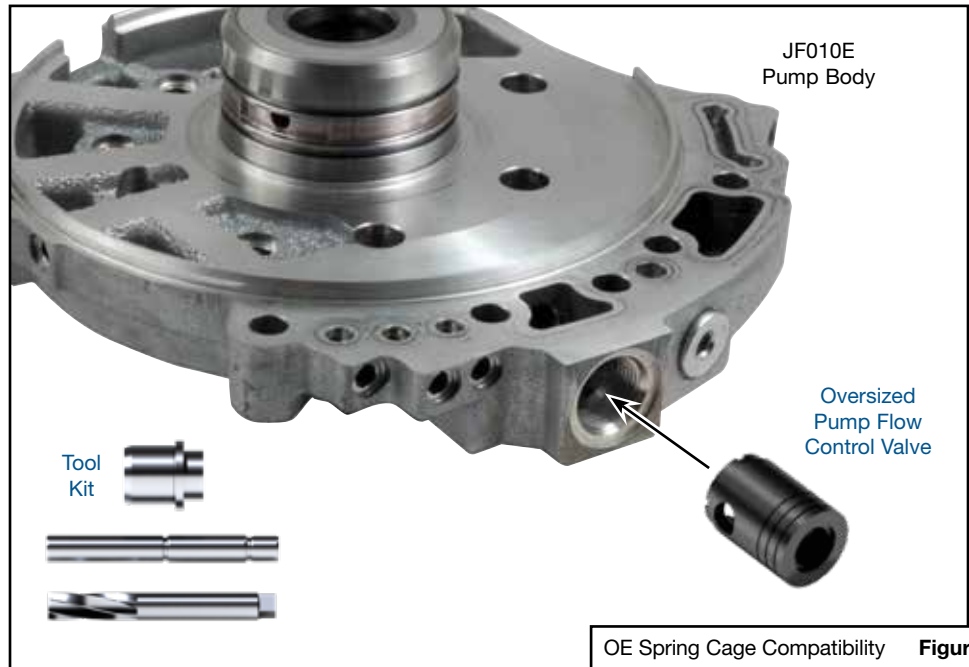


- Carbide Reamer
- Reamer Jig
- Guide Pin

NOTE: Use of the **VB-06** base plate is highly recommended when using the **F-113741-TL7C** tool kit. The standard **VB-FIX** base plate would require drilling and tapping to allow reverse installation.

Sonnax "F-Tool" kits designed to service a specific bore require the **VB-FIX**, a self-aligning valve body reaming fixture. More information and instructions can be found online at www.sonnax.com.

Jatco/Nissan JF010E (RE0F09A/RE0F09B)



CAUTION: Measure OE valve and spring cage first to ensure compatibility (**Figure 1**). Incorrect usage can create flow issues and early pulley damage.

1. Disassembly

- Remove and discard OE pump flow control valve.
- Keep OE threaded end plug, spring cage and spring.

2. Bore Reaming

Ream pump flow control bore (for reaming instructions/reamer care, please visit www.sonnax.com). Sonnax reaming tool kit **F-113741-TL7C** and **VB-FIX** are required for this operation.

NOTE: Once alignment is complete, do not loosen wing nuts or un-clamp the pump body from fixture until entire reaming process is completed.

3. Installation & Assembly

- Be certain all debris has been removed from the valve bore and valve body.
- Install Sonnax valve.
- Reinstall OE spring, spring cage and end plug.

4. Final Testing

Vacuum testing at the port(s) indicated holds the recommended minimum 14 in.-Hg.

