

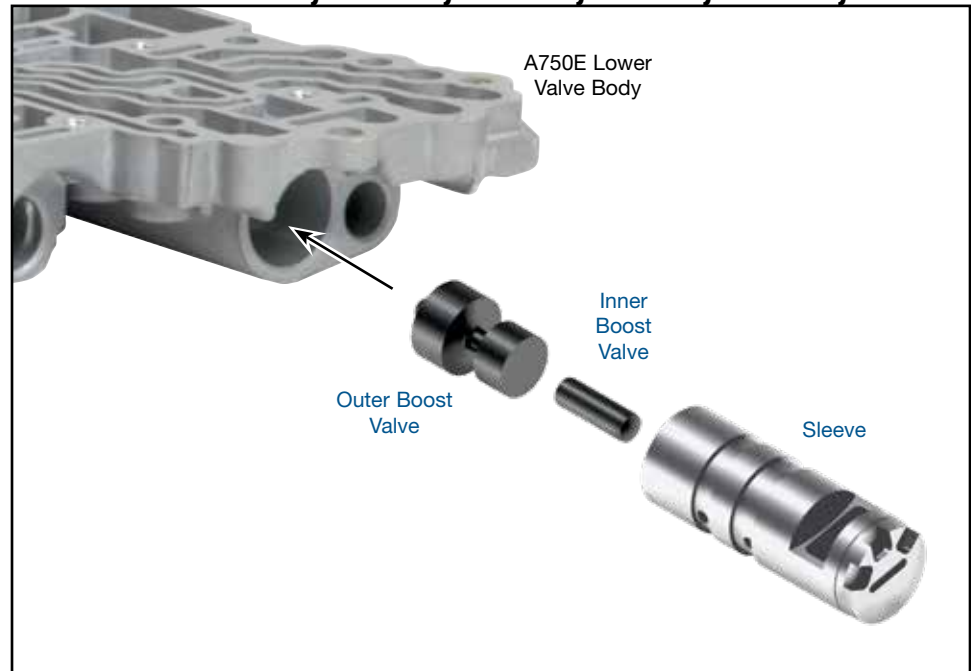
Toyota/Lexus A750E, A750F, A760E, A760F, A760H, A761E, A960E, A960F, AB60E, AB60F

Boost Valve Kit

Part No.

147741-01K

- Outer Boost Valve
- Inner Boost Valve
- Sleeve



NOTE: Before disassembly, note position of retainer on OE sleeve. Retainer must be returned to the corresponding step on Sonnax sleeve during installation.

1. Disassembly

- Remove OE retainer after noting its position on OE boost sleeve. Set retainer aside for reuse.
- Remove and discard OE boost assembly.

2. Installation & Assembly

- Install Sonnax boost valve assembly.
- Reinstall OE retainer. Ensure retainer is set into the corresponding step on Sonnax sleeve that was noted before disassembly.
- Ensure OE retainer is set at the same step location on the Sonnax boost sleeve as it was on the OE boost sleeve.

3. Final Verification

Vacuum testing at the ports indicated holds the recommended minimum 16 and 18 in-Hg.

