

## Oversized Lockup Control Valve Kit

**Part No.**  
**147741-16K**

- Lockup Control Valve
- Plunger Valve
- Plunger Sleeve



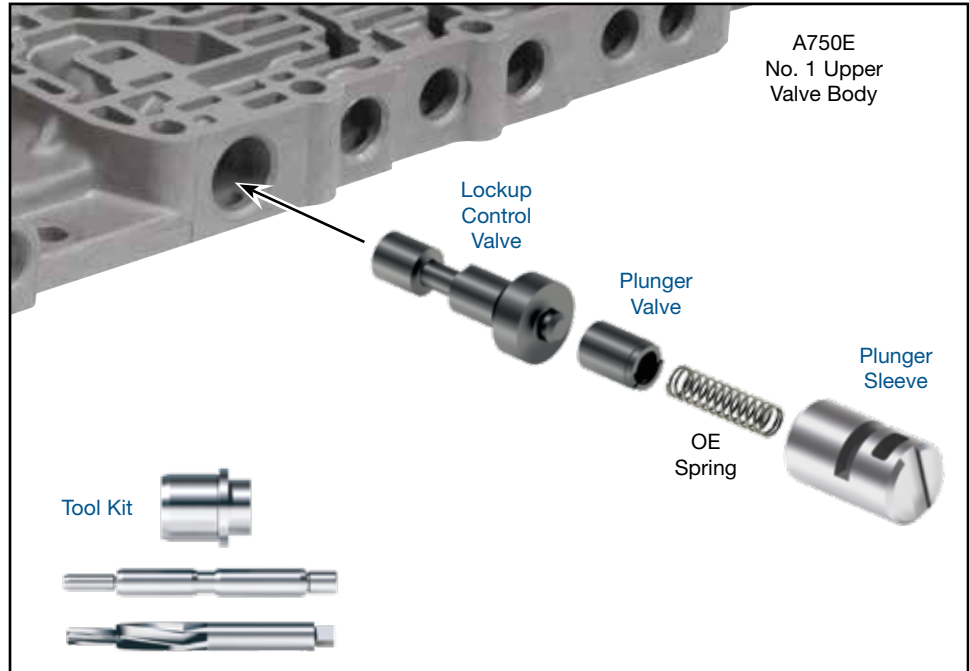
## Tool Kit

**Part No.**  
**F-147741-TL16**

- Reamer
- Reamer Jig
- Guide Pin



## Toyota/Lexus A750E, A750F, A761E, A960E, A960F



**NOTE:** Sonnax “F-Tool” kits designed to service a specific bore require the VB-FIX, a self-aligning valve body reaming fixture. More information and instructions can be found online at [www.sonnax.com](http://www.sonnax.com).

### 1. Disassembly

- Remove OE retainer, plunger sleeve, plunger valve, spring and lockup control valve.
- Keep OE retainer and spring for reuse, all other components can be discarded.

### 2. Bore Reaming

Ream lockup control bore (for reaming instructions/reamer care, please visit [www.sonnax.com](http://www.sonnax.com)). Sonnax reaming tool kit F-147741-TL16 and VB-FIX are required for this operation.

### 3. Installation & Assembly

- Install Sonnax lockup control valve.
- Install Sonnax plunger valve, OE spring and Sonnax plunger sleeve (**main photo**).
- Reinstall OE retainer.

### 4. Final Testing

Vacuum testing at the port(s) indicated holds the recommended minimum 14 and 18 in-Hg.

