

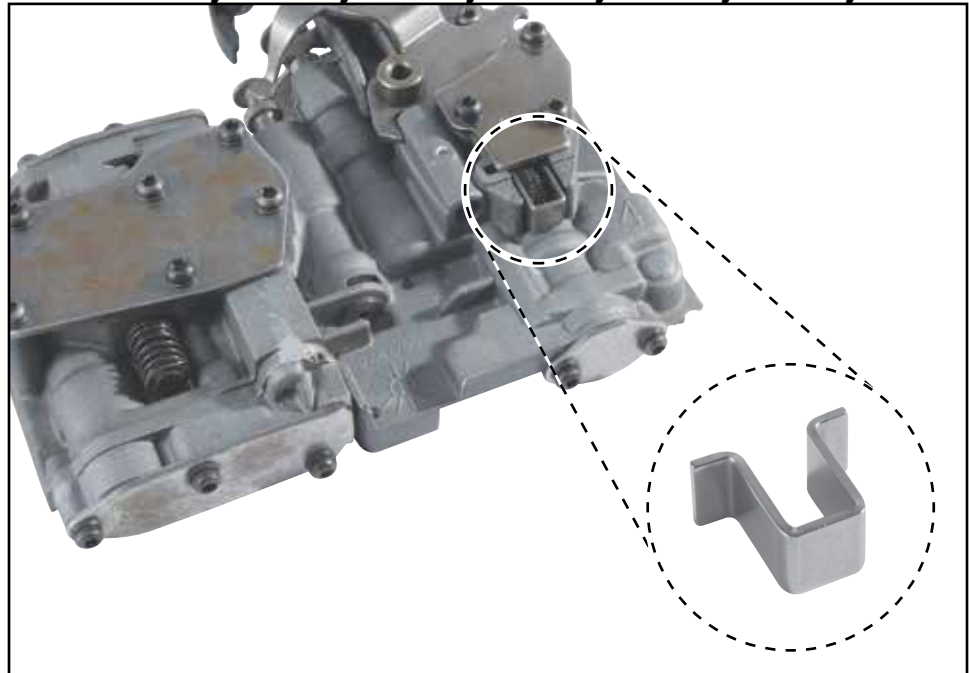
## Chrysler 42RE, 42RH, 44RE, 44RH, 46RE, 46RH, 47RE, 47RH, 48RE, A727, A904

### Boost Valve Spring Retainer

Part No.

**22990-01**

• Spring Retainers (5)



#### 1. Disassembly

- a. Remove cover plate, OE retainer, spring and valve.
- b. Retain OE cover plate, valve and spring for reuse.
- c. Discard OE retainer.

#### 2. Installation & Assembly

- a. Reinstall OE valve and spring.
- b. Install Sonnax retainer.
- c. Reinstall OE cover plate.