

AFL Filter End Plug & O-Ring Kit

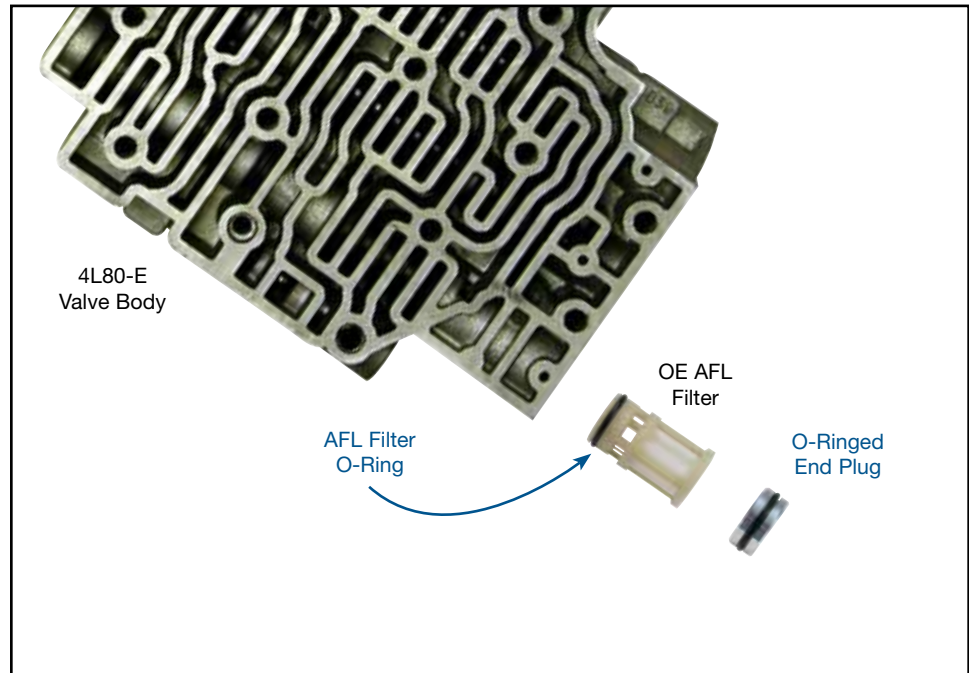
Part No.

34994-17K

- AFL Filter O-Ring
- End Plug
- End Plug O-Ring

NOTE: If excess wear is discovered in the AFL valve bore, Sonnax actuator feed limit valve kit is available from your distributor.

GM 4L80-E, 4L85-E



1. Disassembly

- Remove OE retaining pin and set aside for reuse.
- Remove and discard OE end plug.
- Remove and inspect OE AFL filter for damage. Save for reuse or replace if necessary.

2. Installation

- Install Sonnax AFL filter O-ring onto OE AFL filter. Lubricate and roll on clean flat surface to size O-ring into groove.
- Reinstall OE filter.
- Install Sonnax end plug O-ring onto Sonnax end plug. Lubricate and roll on clean flat surface to size O-ring into groove.
- Install Sonnax end plug and secure with OE retaining pin.