

Oversized Secondary Pressure Regulator Valve Kit

Part No.
39741-11K



- Valve
- Sleeve
- Spring
- End Plug Use w/TF-81SC Only

NOTE: Fits Volvo (AM6); Opel (AF40); Peugeot (TF80); Saab (AF40/6); Land Rover (TF80); Ford (AF21) & Mazda (AW6A-EL).

Tool Kit

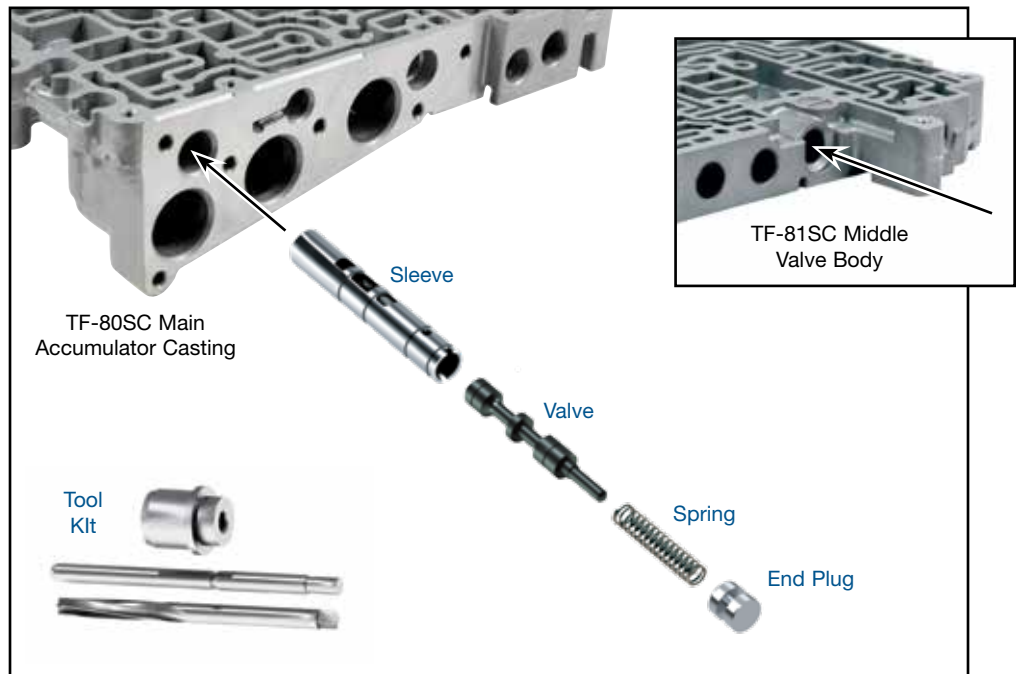
Part No.
F-39741-TL11



- Reamer
- Reamer Jig
- Guide Pin

NOTE: Sonnax "F-Tool" kits designed to service a specific bore require the VB-FIX, a self-aligning valve body reaming fixture. More information and instructions can be found online at www.sonnax.com.

Aisin AW TF-80SC, TF-81SC



1. Disassembly

- Remove all OE components from bore.
- Clean bore thoroughly.

2. Bore Reaming

Ream secondary pressure regulator bore (for reaming instructions/reamer care, please visit www.sonnax.com). Sonnax reaming tool kit F-39741-TL11 and VB-FIX are required for this operation.

3. Installation & Assembly

- Be certain all debris has been removed from the valve bore and valve body.
- Install Sonnax valve and sleeve assembly.
- Install Sonnax spring and end plug.

4. Final Testing

Vacuum testing at the port(s) indicated holds the recommended minimum 18 in.-Hg.

