

Accumulator Piston Kit

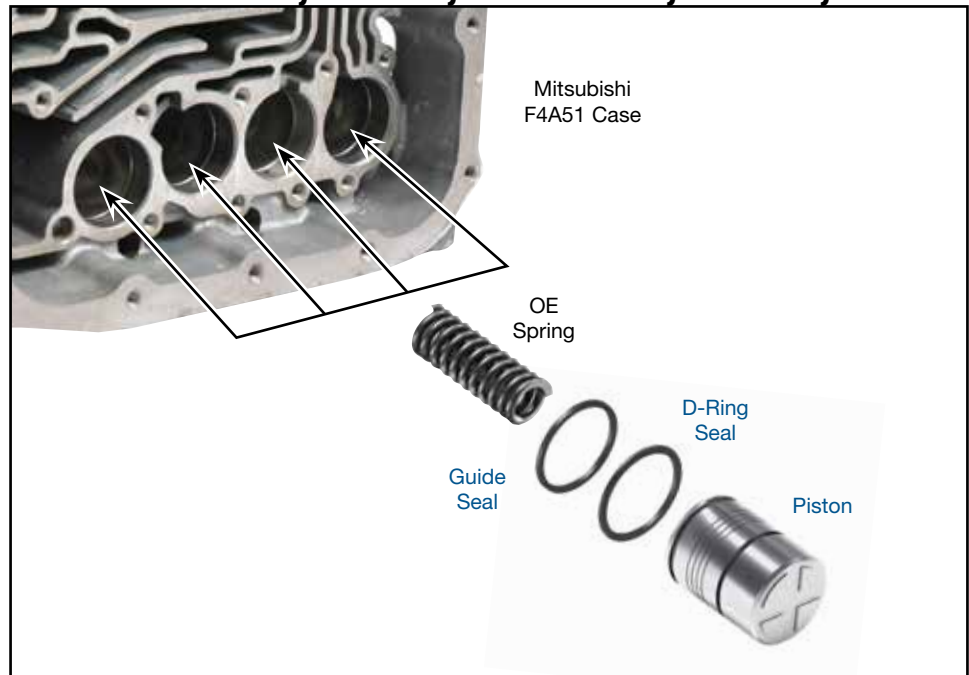
Part No.

41954-02K

- Piston
- D-Ring Seal Viton®
- Guide Seal PTFE

NOTE: Fits in any of four locations in '96-later units.

Hyundai/Kia A5GF1, A5HF1; Mitsubishi F4A41/42/51, F5A51, R4/V4A51, R5A51, V5A51



1. Bore Preparation

- Prepare the bore with fine emery cloth to remove any ridges. To ease assembly of the piston and seals, be sure to dull the sharp edge at the front of the bore. Buff with Scotch-Brite® to create a uniform surface finish.
- Thoroughly clean and lubricate the accumulator bore.

2. Assembly & Installation

- Install Sonnax guide seal in the groove nearest the open end of the accumulator piston.
- Install Sonnax D-ring seal in the groove nearest the closed end of the accumulator piston.
- Lubricate the assembled piston to help avoid pinching or cutting the seals.
- Place the OE spring into either the case bore or piston pocket.
- Carefully install the piston with seals into the accumulator bore.