

Reverse Modulator Valve Kit

Part No.
56947J-23K

- Valve
- Sleeve
- Spring

Tool Kit

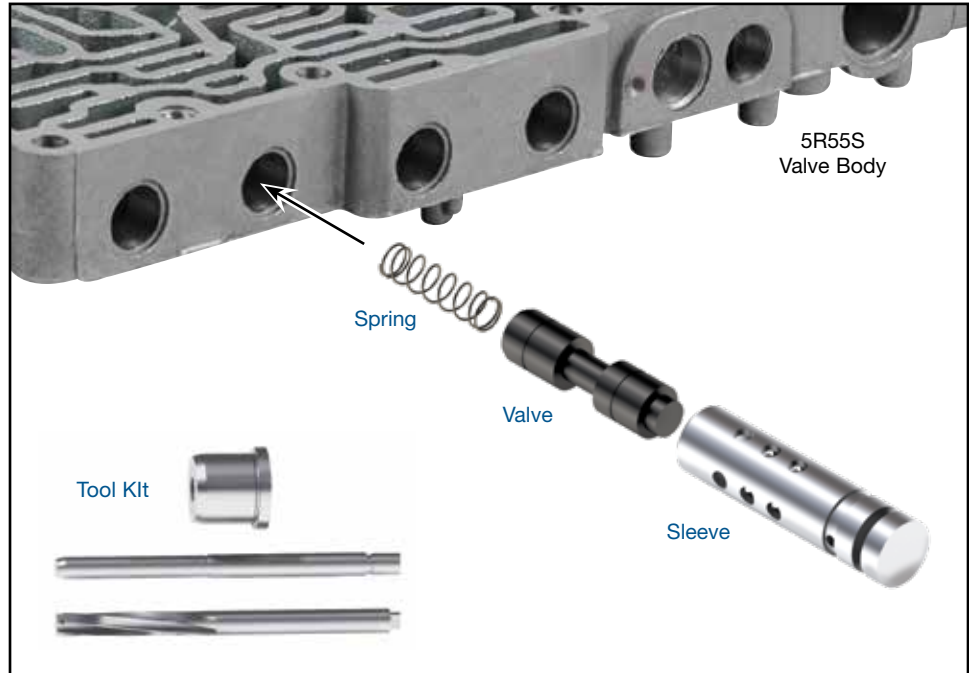
Part No.
F-27741-TL13

- Reamer
- Reamer Jig
- Guide Pin



NOTE: Sonnax “F-Tool” kits designed to service a specific bore require the VB-FIX, a self-aligning valve body reaming fixture. More information and instructions can be found online at www.sonnax.com.

Ford 5R55S, 5R55W



1. Disassembly

- Remove and discard OE valve, spring and end plug.
- Keep OE retaining clip for reuse.

2. Bore Reaming

Ream reverse modulator bore (for reaming instructions/reamer care, please visit www.sonnax.com). Sonnax reaming tool kit F-27741-TL13 and VB-FIX are required for this operation.

3. Installation & Assembly

- Be certain all debris has been removed from the valve bore and valve body.
- Install Sonnax valve into Sonnax sleeve with the recessed spring pocket facing outward.
- Place Sonnax spring into the valve spring pocket.
- Push Sonnax valve/sleeve/spring assembly into the bore, spring end first, until OE retaining clip can be re-installed into sleeve groove.

4. Final Testing

Vacuum testing at the port(s) indicated holds the recommended minimum 18 in-Hg.

