

### Oversized TCC Back Pressure Valve Kit

**Part No.**  
**56947J-63K**



- Valve
- Spring
- End Plug

### Tool Kit

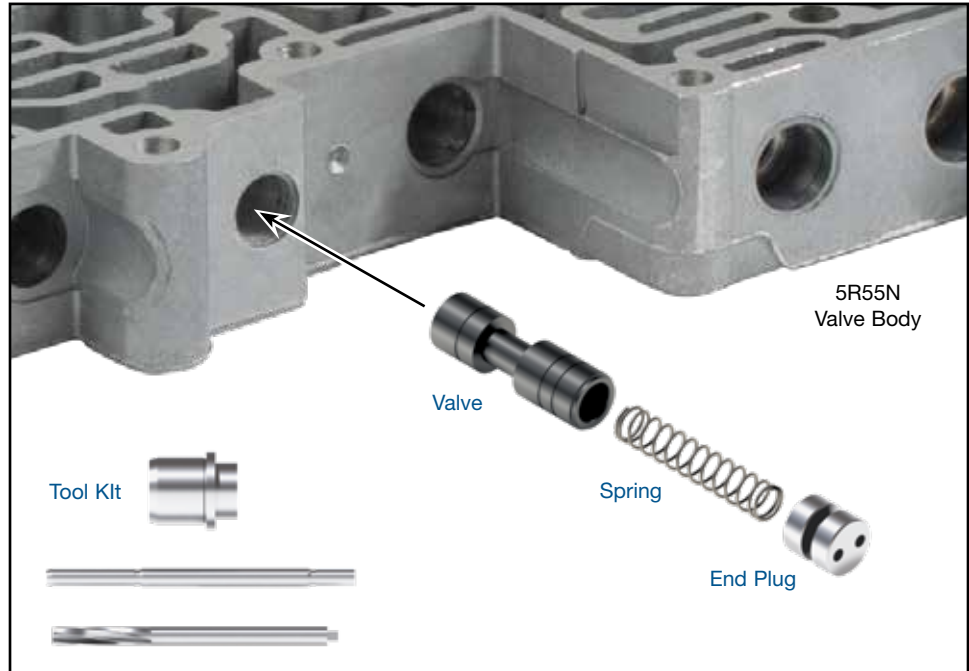
**Part No.**  
**F-56947J-TL63**



- Reamer
- Reamer Jig
- Guide Pin

**NOTE:** Sonnax “F-Tool” kits designed to service a specific bore require the VB-FIX, a self-aligning valve body reaming fixture. More information and instructions can be found online at [www.sonnax.com](http://www.sonnax.com).

**NOTE:** Required tool kit F-56947J-TL63 is no longer in production. Check with your distributor for availability.



### Ford 5R55N

#### 1. Disassembly

- Remove and discard OE valve, spring and end plug.
- Keep OE retainer pin for reuse.

#### 2. Bore Reaming

Ream TCC back pressure bore (for reaming instructions/reamer care, please visit [www.sonnax.com](http://www.sonnax.com)). Sonnax reaming tool kit **F-56947J-TL63** and **VB-FIX** are required for this operation.

#### 3. Installation & Assembly

- Be certain all debris has been removed from the valve bore and valve body.
- Install Sonnax TCC back pressure valve followed by Sonnax spring.
- Push Sonnax end plug into bore and secure with OE retaining pin.

#### 4. Final Testing

Vacuum testing at the port(s) indicated holds the recommended minimum 18 in-Hg.

