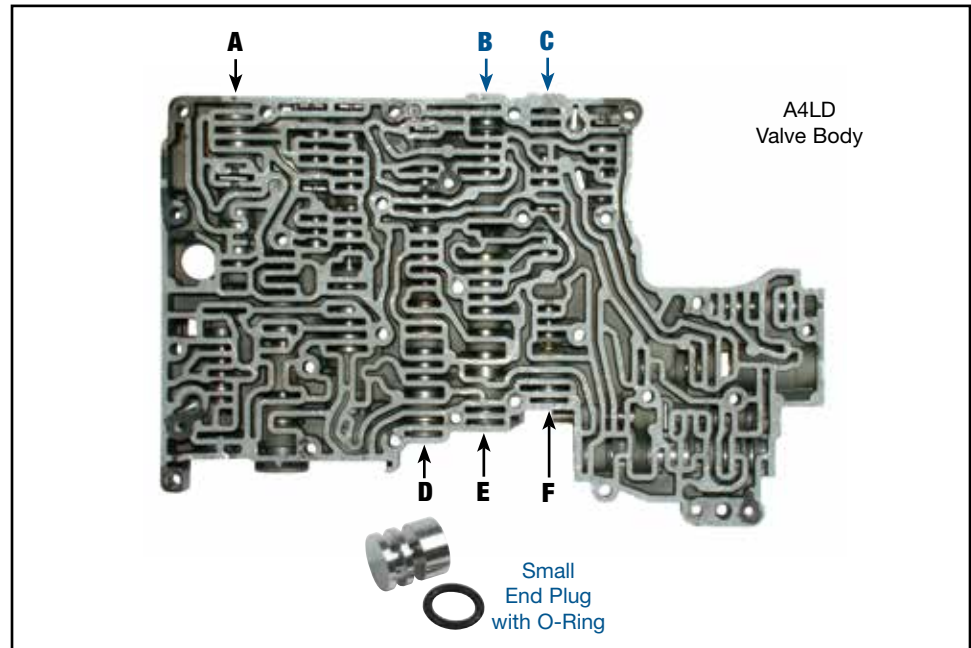


O-Ringed End Plug Kit

Part No.
56947-SML

- End Plugs, Small (2) 1 Extra
- O-Rings, Small (3)

Ford A4LD



1. Disassembly

- Remove OE retaining clips and save for reuse.
- Remove end plugs from the valve body and discard.

2. Installation & Assembly

- Lubricate Sonnax O-rings with Transgel®, then install O-rings into the outer groove of Sonnax end plugs.
- Roll end plug on a clean, flat surface to compress O-ring into end groove.
- Insert O-ringed end plugs into appropriate valve bores (**chart**) until aligned with retaining clip opening.

NOTE: Small end plug must go into bore O-ring end first.

- Install OE retaining clips to seat the end plugs.

| Valve Bore Location | | Small End Plug | Medium End Plug | Large End Plug |
|---------------------|--------------------------------------|----------------|-----------------|----------------|
| A | Intermediate Servo Accumulator Valve | | ✓ | |
| B | Throttle Pressure Boost Valve | ✓ | | |
| C | 1-2 Transition Plug | ✓ | | |
| D | 2-3 Shift Valve | | | ✓ |
| E | 1-2 Shift Valve | | | ✓ |
| F | Governor Coast Boost Valve | | | ✓ |