

### Aisin AW 55-50SN, 55-51SN

## Oversized Lockup Control Valve & Boost Valve Kit



### Part No.

**59947-29K**

- Lockup Control Valve
- Boost Valve
- Boost Sleeve
- Boost Spring

**NOTE:** Also fits AF23/33 and RE5F22A units.

## Tool Kit



### Part No.

**F-59947-TL29**

- Reamer
- Reamer Jig
- Guide Pin

**NOTE:** Sonnax “F-Tool” kits designed to service a specific bore require the VB-FIX, a self-aligning valve body reaming fixture. More information and instructions can be found online at [www.sonnax.com](http://www.sonnax.com).

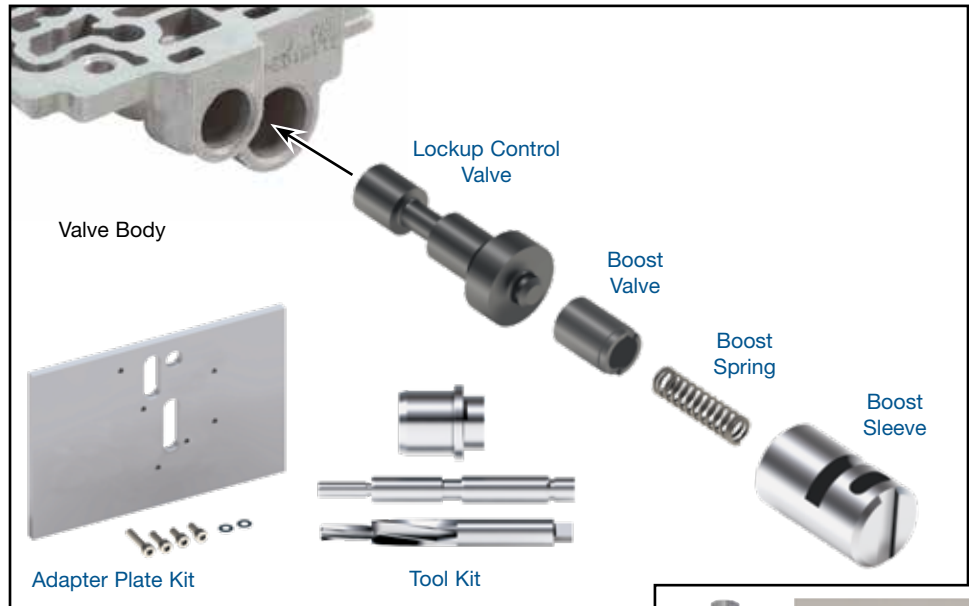
## Adapter Plate Kit

### Part No.

**F-15741-TL29PL**

- Adapter Plate
- Washers (2)
- Screws (2), 12mm
- Screw, 15mm
- Screw, 25mm

**NOTE:** Required for securing small No. 2 rear control valve body to **VB-FIX**.



**CAUTION:** Adapter plate kit **F-15741-TL29PL** is required to help secure No. 2 rear control valve body to **VB-FIX** (Figures 1 & 2). If you do NOT have these particular designated holes on your adapter plate you have an early-style and it must be modified for this application. For directions on how to modify your early-style adapter plate, go to [www.sonnax.com](http://www.sonnax.com) and search **F-15741-TL29PL**.

### 1. Disassembly

- Remove OE retaining clip and save for reuse.
- Remove and discard OE boost sleeve, boost valve, spring and clutch control valve.

### 2. Bore Reaming

After mounting valve body to adapter plate **F-15741-TL29PL**, ream lockup control bore (for reaming instructions/reamer care, please visit [www.sonnax.com](http://www.sonnax.com)). Sonnax reaming tool kit **F-59947-TL29** and **VB-FIX** are required for this operation.



**CAUTION:** Due to small No. 2 rear control valve, the clamp used to secure valve body during reaming, **MUST** be on adapter plate, NOT valve body.

### 3. Installation & Assembly

- Install Sonnax lockup control valve.
- Install Sonnax boost valve, boost sleeve and spring.
- Secure with OE retaining clip.

### 4. Final Testing

Vacuum testing at the port(s) indicated holds the recommended minimum 16 and 18 in-Hg.

