

Boost Valve Kit

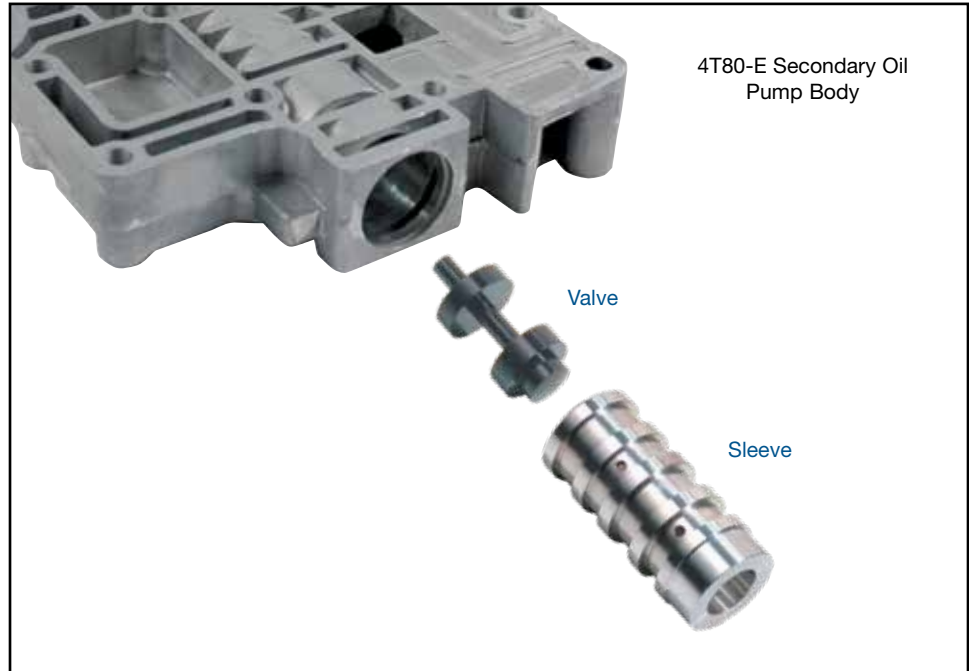


Part No.

72754-01K

- Valve
- Sleeve

GM 4T80-E



1. Disassembly

- Remove and discard OE valve and sleeve.

2. Installation & Assembly

- Be certain all debris has been removed from the valve bore and valve body.
- Install Sonnax boost valve and sleeve assembly.

3. Final Testing

Vacuum testing at the port(s) indicated holds the recommended minimum 18 in-Hg.

