

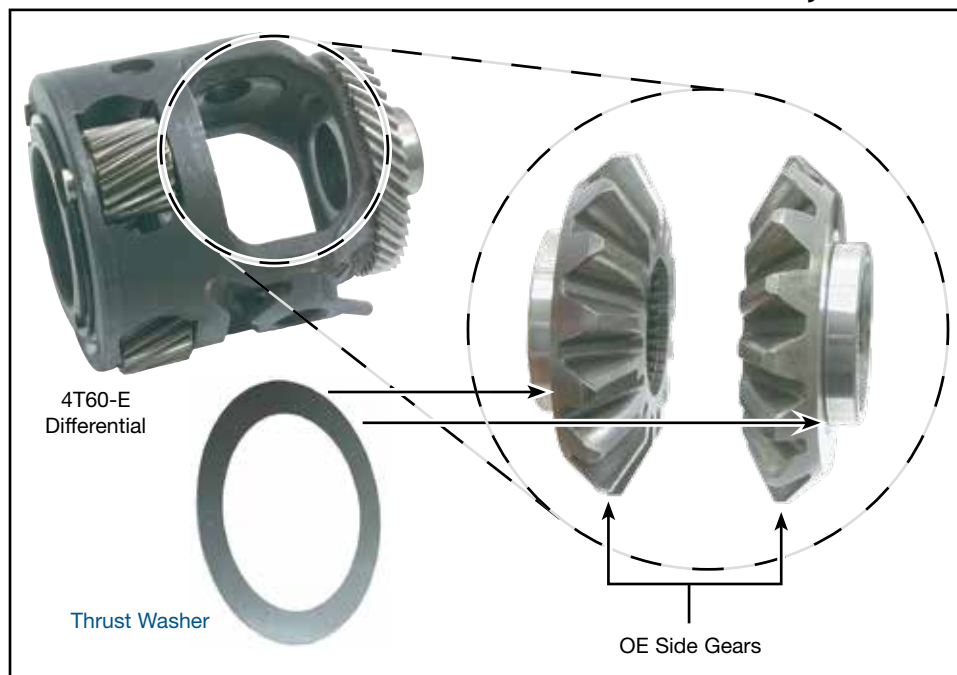
Differential Side Gear Thrust Washer

Part No.

75890-30

• Washers (4) 2-3/16" O.D.

GM 4T60, 4T60-E



1. Disassembly

- Drive out differential pinion pin retainer.
- Remove pinion pin, pinions and washers.
- Remove side gears and washers to allow replacement.

2. Installation & Assembly

- Install desired thrust washer(s) onto OE side gears and install back into the differential carrier.
- Install OE pinion washers onto pinion gears and install pinion pin back into the differential carrier.
- Reinstall OE pinion pin retainer.