

Oversized Bypass Clutch Control Valve

Part No.
76948-31



Tool Kits

Part No.
76948-TL6

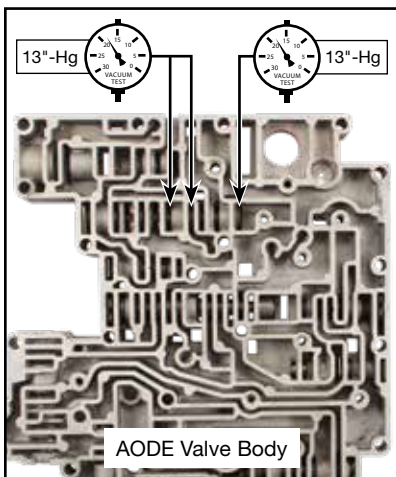
- Roughing Reamer
- Finishing Reamer
- Reamer Jig

Part No.
F-76948-TL6

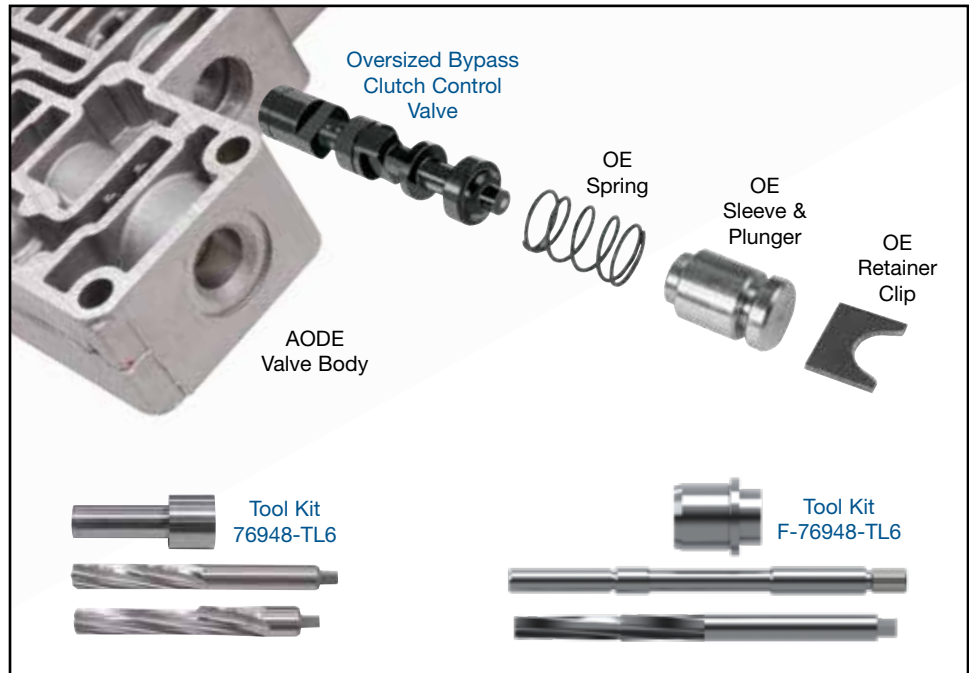


- Reamer
- Reamer Jig
- Guide Pin

NOTE: Sonnax “F-Tool” kits designed to service a specific bore require the VB-FIX, a self-aligning valve body reaming fixture. More information and instructions can be found online at www.sonnax.com.



Ford 4R70E, 4R70W, 4R75E, 4R75W, AODE



1. Disassembly

- Remove OE retainer, bypass sleeve and plunger, spring and bypass valve.
 - Save OE spring, retainer clip and bypass plunger for reuse.
- NOTE:** It's recommended to replace the bypass sleeve & plunger assembly with Sonnax **76948-04K**.
- Discard OE bypass clutch control valve.

2. Bore Reaming Options

For reaming instructions and reamer care, please visit www.sonnax.com.

- 76948-TL6** (VB-FIX Not Required)
Ream bypass clutch control bore with Sonnax reaming tool kit **76948-TL6**.
- F-76948-TL6 & VB-FIX**
Ream bypass clutch control bore with Sonnax reaming tool kit **F-76948-TL6** and **VB-FIX**.

3. Installation & Assembly

- Be certain all debris has been removed from the valve bore and valve body.
- Install Sonnax bypass clutch control valve.
- Reinstall OE spring.
- Reinstall OE (or install Sonnax) bypass clutch control sleeve and plunger assembly.
- Reinstall OE retaining clip.

4. Final Testing

Vacuum testing at the port(s) indicated holds the recommended minimum 13 in-Hg.