

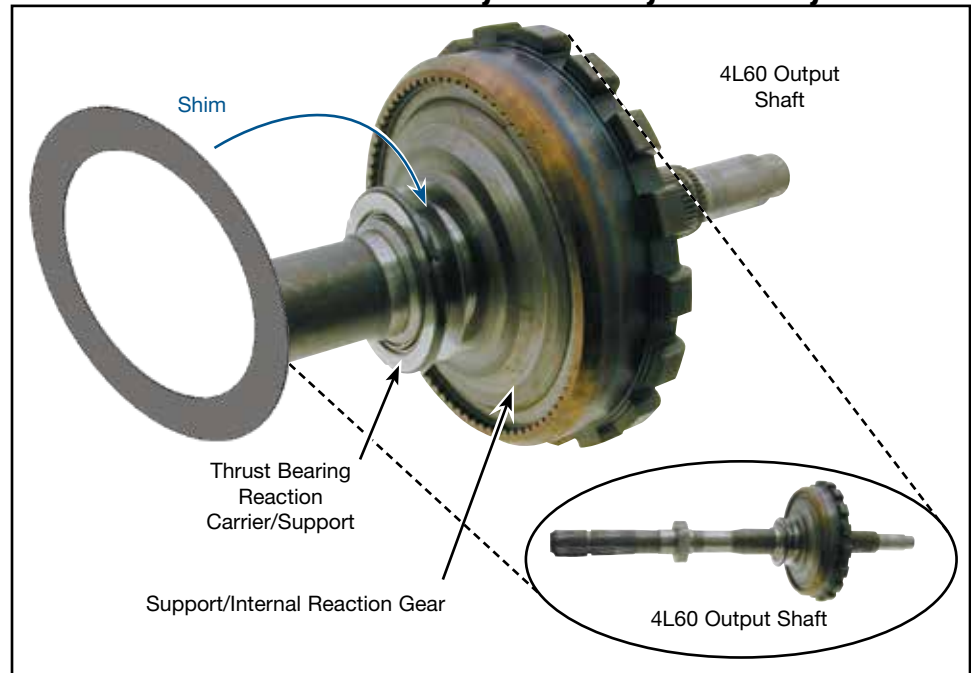
GM TH350, TH350C, 4L60, 4L60-E, 4L65-E, 4L70-E

Shim

Part No.

77406-10

NOTE: .010" Thick.
Packaging quantity 10/bag



Use .010" thick Sonnax rear endplay shims between rear support and bearing to take up excess endplay clearance.

Endplay specifications:

- 350 & 350C: .010"–.044"
(Figure 1)
- 4L60, 4L60-E, 4L65-E
& 4L70-E: .005"–.035"
(Main Image)

