

## GM 200-4R, 4L60

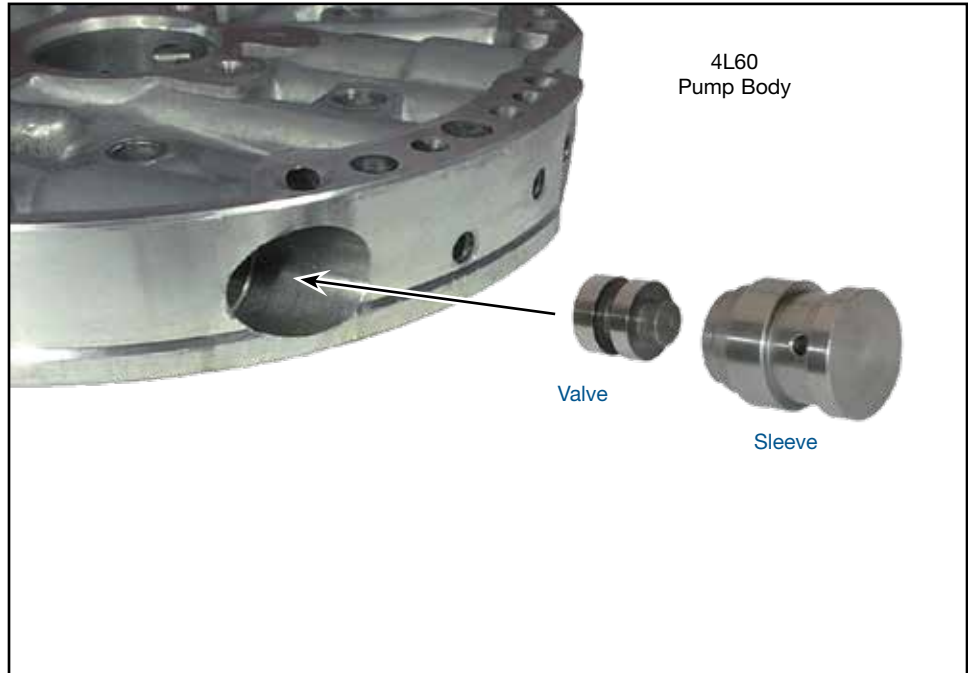
### TV Boost Valve Kit

**Part No.**

**77917-02K**

- Valve
- Sleeve .423" dia.

**NOTE:** Factory-style sleeve.



#### 1. Disassembly

- Remove snap ring and save for reuse.
- Remove and discard OE boost sleeve and valve.

#### 2. Installation & Assembly

- Install Sonnax valve into Sonnax sleeve with the nubbed end facing in.
- Lubricate the bore and throttle valve sleeve and carefully push the Sonnax assembly in just far enough to reinstall OE snap ring.

Sonnax Part No.	Sleeve Dia.	Performance Application
77917-02K	.423" dia.	Minimum line pressure for V6 applications and smaller vehicles
77917-03K	.471" dia.	Higher line pressure for towing and off-road
77917-04K	.500" dia.	Maximum line pressure & shift feel for high performance applications