

Stator Support Shaft Kit

Part No.

77918S-1K

- Stator Support Shaft with Bushing Installed 7.300" Long

NOTE: Fits 280mm or 300mm converter, non-reluctor style, '99-'04 units.

Also Available

Stator Support Shaft Kit

77918S-1K

245mm or 298mm Converter, non-reluctor style

Stator Support Shaft Assemblies

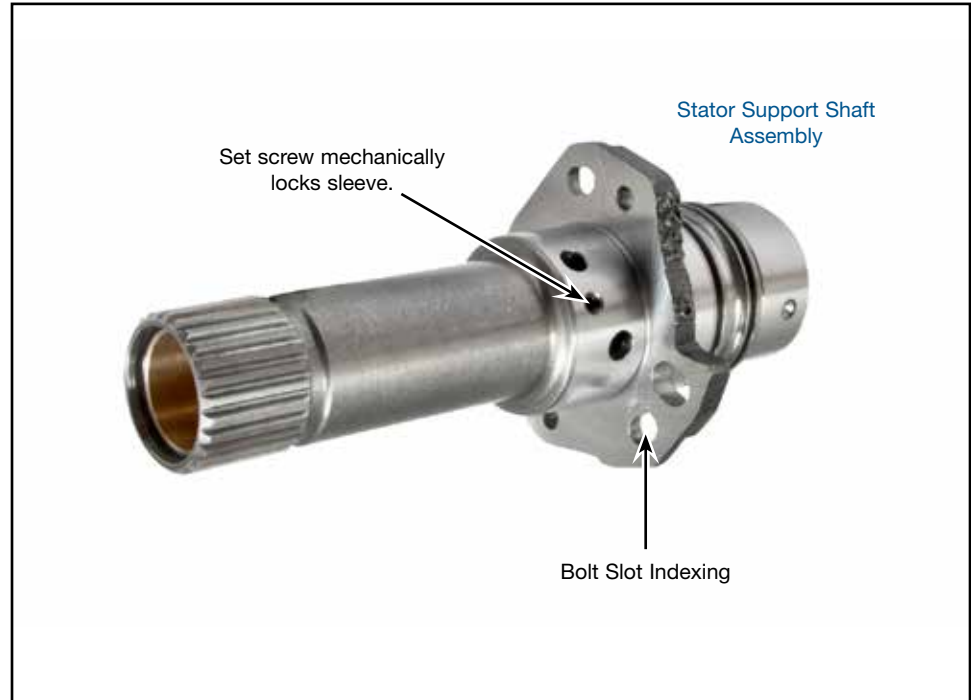
77918S-08K

298mm Converter, reluctor style, '04-later

77918S-09K

280mm or 300mm Converter, reluctor style, '04-later

GM 4L60-E, 4L65-E, 4L70-E



Installation

- Place Loctite #518 sealant on leading edge of stator support shaft before press operation.
- Align oil holes and dowel holes exactly on the shaft and pump cover, then press shaft into the cover and fasten together.
- Torque 3 retaining bolts to 9 ft-lb.

