

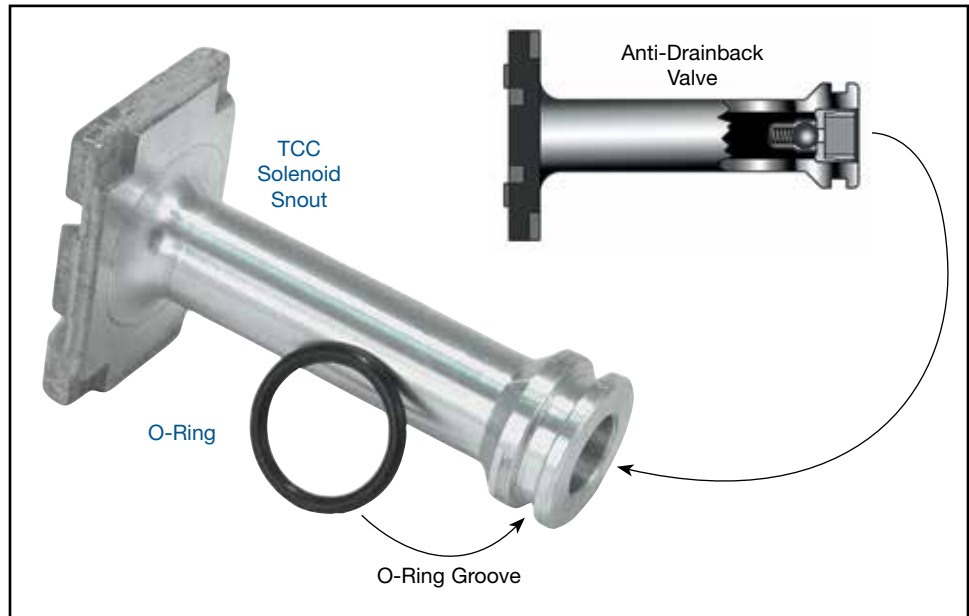
TCC Solenoid Snout Kit

Part No.
77942-02K

- TCC Solenoid Snout with Anti-Drainback Valve
- O-Ring

NOTE: Fits '97-later PWM units.

GM 4L60-E, 4L65-E, 4L70-E



1. Disassembly

- Remove plastic OE solenoid snout by unbending the four bracket tabs that secure it.
- Discard plastic snout and keep OE steel plunger valve for reuse.

2. Installation & Assembly

- Install Sonnax O-ring in groove of Sonnax TCC solenoid snout.
- Place Sonnax solenoid snout on OE solenoid base and bend the four bracket tabs back into place to secure.
- Remove OE plastic drainback valve from pump.
- Install Sonnax orificed cup, by pressing the cup plug into the pump and staking it in place.

