

Differential Lube Tube Retainer Kit

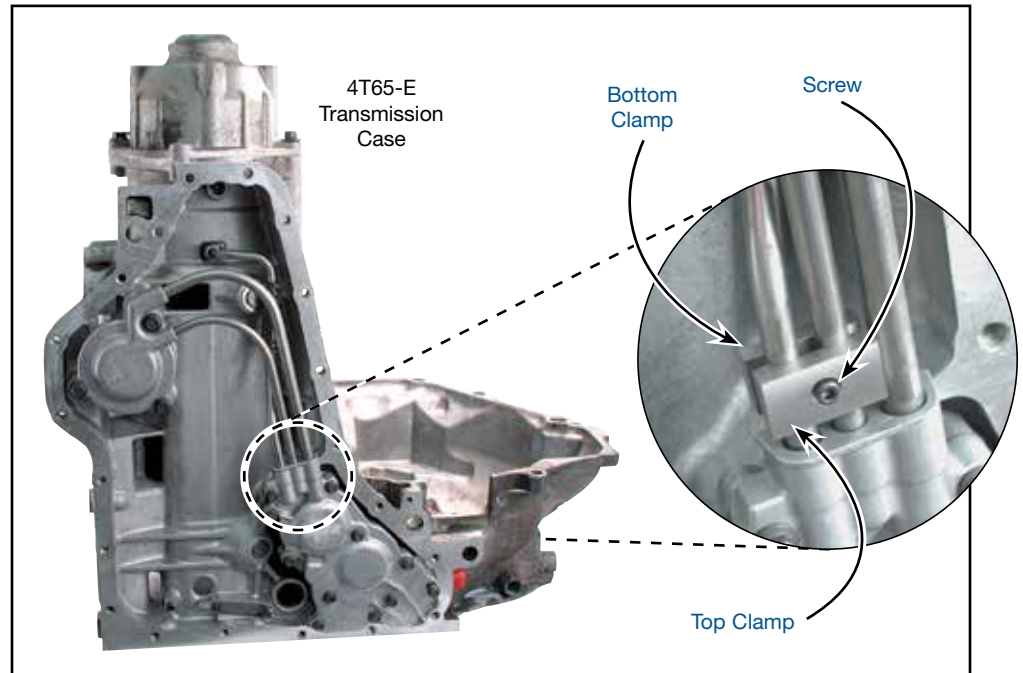
Part No.

84532-01K



- Top Clamp
- Bottom Clamp
- Screw

GM 4T60-E, 4T65-E



1. Place threaded bottom clamp lube tube retainer between the tubes and the case.
2. Place top clamp over the tubes.
3. Apply a small amount of Loctite® 242 (blue) on the socket head cap screw provided.
4. Bolt the two halves together.