

Oversized 3-4 Accumulator Valve Kits



Part No.

84754-55K

- Valve
- Spring



NOTE: Fits GM units only.

Tool Kit



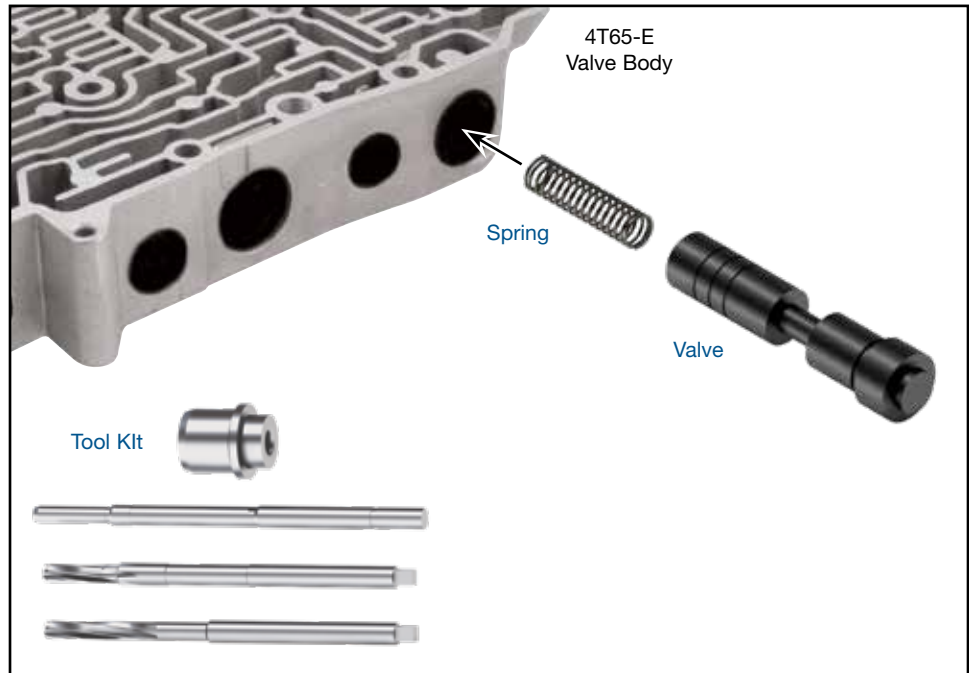
Part No.

F-84754-TL55

- Reamer F-84754-RM55
- Reamer F-84754-RM58
- Reamer Jig
- Guide Pin

NOTE: Sonnax “F-Tool” kits designed to service a specific bore require the VB-FIX, a self-aligning valve body reaming fixture. More information and instructions can be found online at www.sonnax.com.

NOTE: If using **84754-55K** kit for GM models, use **F-84754-RM55** reamer. If using **84754-58K** kit for Volvo models, use **F-84754-RM58** reamer. Both of these reamers are labeled and found in the **F-84754-TL55** tool kit.



GM 4T65-E

1. Disassembly

- Remove OE 2-3 accumulator sleeve/valve assembly and retainer. Save for reuse.
- Remove and discard OE 3-4 accumulator valve and spring.

2. Bore Reaming

Ream accumulator bore (for reaming instructions/reamer care, please visit www.sonnax.com). Sonnax reaming tool kit **F-84754-TL55** and **VB-FIX** are required for this operation.

3. Installation & Assembly

- Place Sonnax spring into spring pocket of Sonnax valve.
- Install spring and valve into reamed bore, spring end first.
- Reinstall OE 2-3 accumulator sleeve/valve assembly or and secure with OE retainer.

4. Final Testing

Vacuum testing at the port(s) indicated holds the recommended minimum 18 in-Hg.

