

### Oversized Solenoid Modulator Valve Kit

**Part No.**  
**94987-14K**



- Valve
- Spring
- End Plug

**NOTE:** This kit fits '98-later models: Isuzu NPR, GMC Forward Tiltmaster, Chevrolet Forward, Nissan UD and Mitsubishi Fuso Trucks.

### Tool Kit

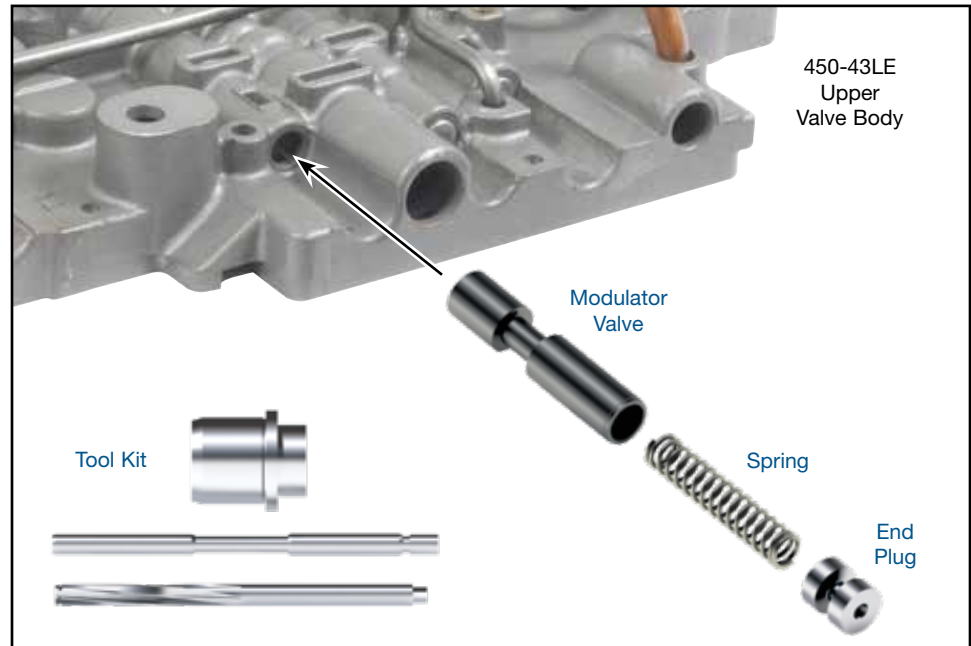
**Part No.**  
**F-94987-TL14**



- Reamer
- Reamer Jig
- Guide Pin

**NOTE:** Sonnax "F-Tool" kits designed to service a specific bore require the VB-FIX, a self-aligning valve body reaming fixture. More information and instructions can be found online at [www.sonnax.com](http://www.sonnax.com).

### Aisin AW 450-43LE



#### 1. Disassembly

- Remove OE retainer and save for reuse.
- Remove and discard OE valve, end plug and spring.

#### 2. Bore Reaming

Ream solenoid modulator bore (for reaming instructions/reamer care, please visit [www.sonnax.com](http://www.sonnax.com)). Sonnax reaming tool kit **F-94987-TL14** and **VB-FIX** are required for this operation.

#### 3. Installation & Assembly

- Be certain all debris has been removed from the valve bore and valve body.
- Install Sonnax solenoid modulator valve into the bore.
- Install Sonnax spring and ensure it is seated inside the valve spring pocket.
- Install Sonnax end plug and secure with the OE retainer.

#### 4. Final Testing

Vacuum testing at the port(s) indicated holds the recommended minimum 18 in-Hg.

