

## Oversized Clutch Control Valve Kit

**Part No.**  
**147741-22K**



- Valve
- End Plug



Oversized clutch control valve kit 147741-22K is no longer in production. Check with your distributor for availability.

## Tool Kit

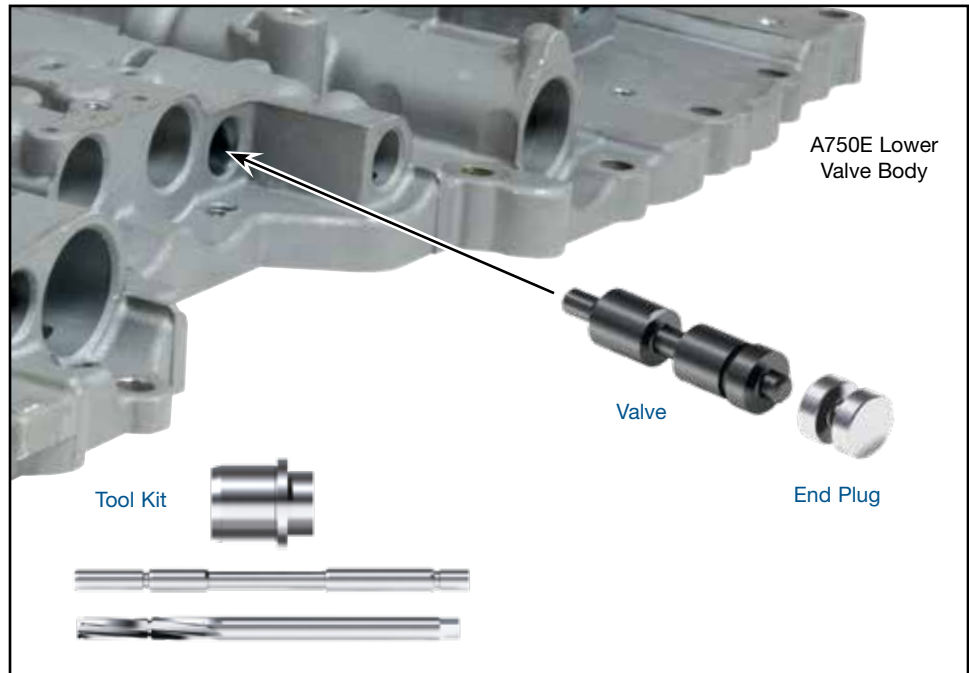


**Part No.**  
**F-147741-TL22**

- Reamer
- Reamer Jig
- Guide Pin

**NOTE:** Sonnax “F-Tool” kits designed to service a specific bore require the VB-FIX, a self-aligning valve body reaming fixture. More information and instructions can be found online at [www.sonnax.com](http://www.sonnax.com).

## Toyota/Lexus A750E, A750F



### 1. Disassembly

- Remove all components from the bore.
- Save OE spring and retainer for reuse.

### 2. Bore Reaming

Ream clutch control valve bore (for reaming instructions/reamer care, please visit [www.sonnax.com](http://www.sonnax.com)). Sonnax reaming tool kit F-147741-TL22 and VB-FIX are required for this operation.

### 3. Installation & Assembly

- Be certain all debris has been removed from the valve bore and valve body.
- Reinstall OE spring.
- Install Sonnax valve and end plug.
- Reinstall OE retainer.

### 4. Final Testing

Vacuum testing at the port(s) indicated holds the recommended minimum 16 and 18 in-Hg.

