

## Oversized Solenoid Modulator Valve Kit

Part No.

**147741-05K**

- Valve
- End Plug



**NOTE:** Valve kit 147741-05K is no longer in production. Check with distributor for availability.

## Tool Kit

Part No.

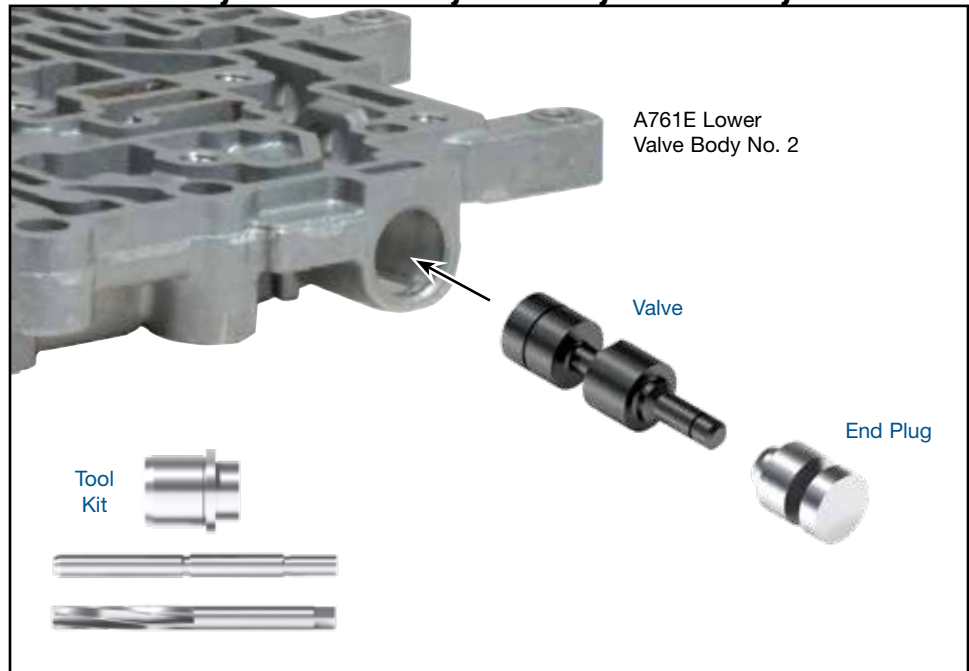
**F-147741-TL5**

- Reamer
- Reamer Jig
- Guide Pin

**NOTE:** Sonnax "F-Tool" kits designed to service a specific bore require the VB-FIX, a self-aligning valve body reaming fixture. More information and instructions can be found online at [www.sonnax.com](http://www.sonnax.com).



## Toyota/Lexus A750E/F, A760E/F/H, A761E, A960E/F, AB60E/F

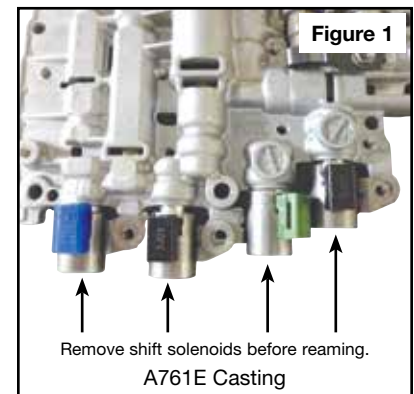


### 1. Disassembly

- Remove OE retainer and set aside for reuse.
- Remove OE end plug and discard.
- Remove OE spring and set aside for reuse.
- Remove and discard OE solenoid modulator valve.
- Remove shift solenoids and set aside for reuse (Figure 1).



**WARNING:** Damage may occur to valve body if shift solenoids are not removed before securing valve body to **VB-FIX**.



### 2. Bore Reaming

Ream solenoid modulator bore (for reaming instructions/reamer care, please visit [Sonnax.com](http://Sonnax.com)). Sonnax reaming tool kit **F-147741-TL5** and **VB-FIX** are required for this operation.

### 3. Installation & Assembly

- Ensure all debris has been removed from valve bore and body.
- Install Sonnax valve, spring guide facing out.
- Reinstall OE spring, ensuring spring fits over spring guide on valve.
- Install Sonnax end plug.
- Reinstall OE retainer.

### 4. Final Testing

Vacuum testing at the port indicated holds the recommended minimum 18 in-Hg (Figures 2 & 3).

