

Oversized Lockup Boost Valve Kit



Part No.

22771-19K

- Lockup Boost Valve
- Plug Valve
- Spring
- Spring Retainer

NOTE: Fits '94-later with boost oil delivery tube.

Tool Kit

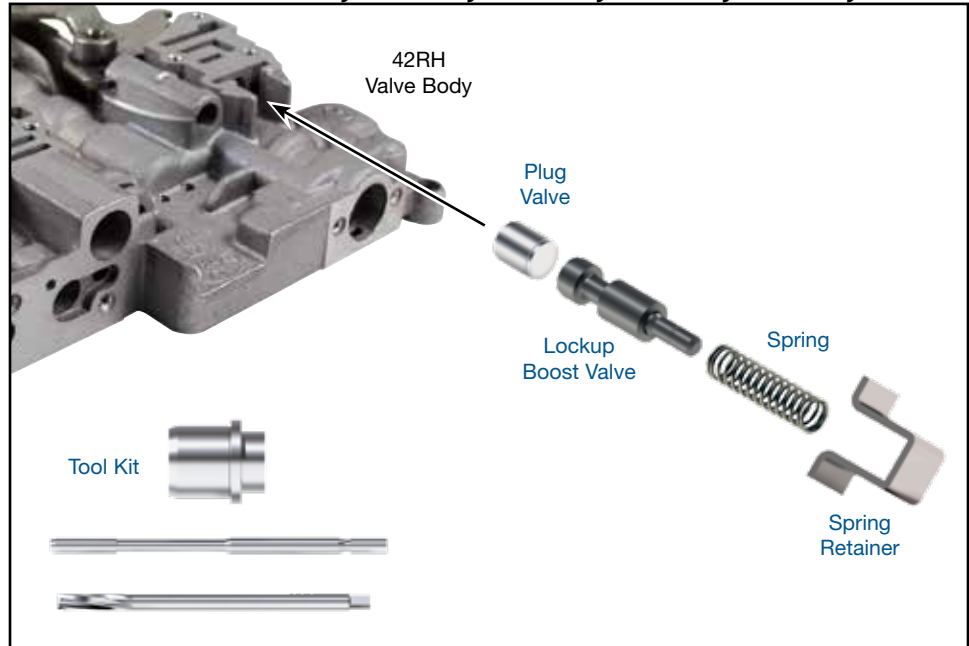


Part No.

F-22771-TL19

- Reamer
- Reamer Jig
- Guide Pin

NOTE: Sonnax "F-Tool" kits designed to service a specific bore require the VB-FIX, a self-aligning valve body reaming fixture. More information and instructions can be found online at www.sonnax.com.



Chrysler 42RE, 42RH, 46RE, 46RH, 47RE, 47RH, 48RE, A727, A904

- 1. Disassembly**
Remove and discard the OE retaining clip, spring, valve and plug valve.
- 2. Bore Reaming**
Ream lockup boost valve bore (for reaming instructions/reamer care, please visit www.sonnax.com). Sonnax reaming tool kit **F-22771-TL19** and **VB-FIX** are required for this operation.
- 3. Installation & Assembly**
 - a. Be certain all debris has been removed from the valve bore and valve body.
 - b. Install the Sonnax oversized plug valve, followed by the Sonnax oversized lockup boost valve, with the spring guide nub facing out.
 - c. Install the Sonnax spring.
 - d. Install the Sonnax spring retainer.
- 4. Final Testing**
Vacuum testing at the port(s) indicated holds the recommended minimum 18 in-Hg.

