

Oversized Clutch Control (KSV) Valve Kit



Part No.

33741B-02K

- Valve
- O-Rings (4) 2 Extra

NOTE: This valve has no flow control notches and must only be installed in 01T units. If your OE valve has flow control notches, STOP. You have an 01J unit and must install **33741B-03K** instead (**Figure 1**).

Tool Kit



Part No.

F-33741B-TL2

- Reamer
- Reamer Jig
- Guide Pin

NOTE: This tool kit can be used for both 01T (**33741B-02K**) and 01J (**33741B-03K**) clutch control valves. Ensure correct valve is installed into casting being worked on (**Figure 1**).

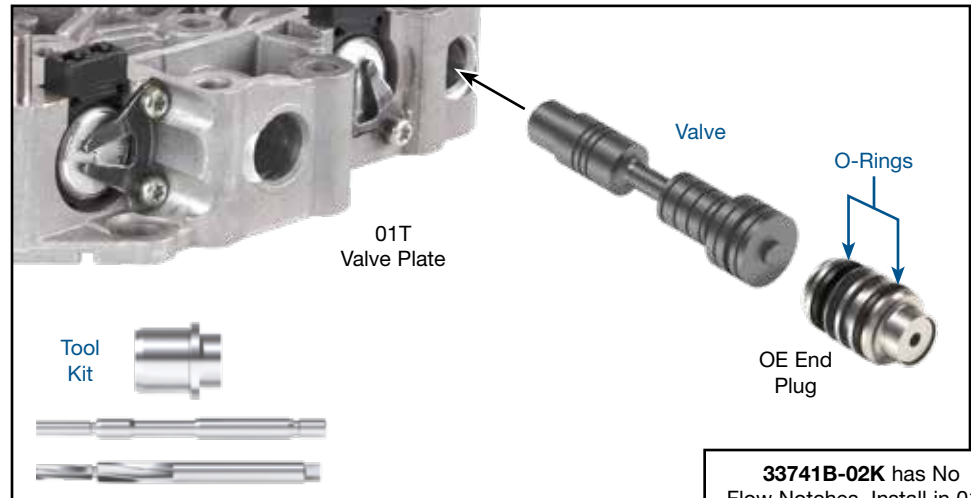
Sonnax "F-Tool" kits designed to service a specific bore require the VB-FIX, a self-aligning valve body reaming fixture. More information and instructions can be found online at www.sonnax.com.

Also Available

Oversized Clutch Control (KSV) Valve Kit

33741B-03K with Flow Notches (01J)

VW/Audi 01T



1. Disassembly

- Remove the OE KSV clutch control valve train from the bore.
- Keep the OE end plug and retaining pin for reuse and discard OE valve.

2. Bore Preparation

- Ream clutch control bore (for reaming instructions/reamer care, please visit www.sonnax.com). Sonnax reaming tool kit **F-33741B-TL2** and **VB-FIX** are required for this operation.

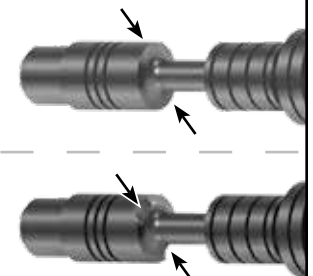
3. Installation & Assembly

- Insert the Sonnax valve into the bore as shown. Check for free movement of the valve in the bore.
- Install a Sonnax O-ring onto the inboard and outboard grooves of the OE end plug.
- Lubricate the O-rings on the OE end plug as well as the bore with Sonnax Slippery Stick **O-LUBE** or equivalent and ease the end plug into the bore. Apply force to push the end plug forward and then, when resistance is felt, relax the force without allowing the end plug to move backwards. This technique, combined with the **O-LUBE**, allows O-rings to squirm into place and minimizes the chance of damage to the O-ring.

4. Final Testing

Vacuum tests at the ports indicated hold the recommended minimum 14 and 16 in-Hg.

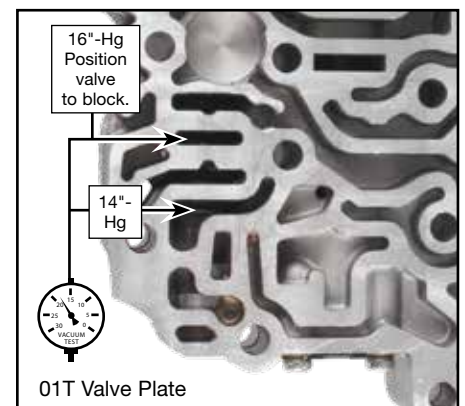
33741B-02K has No Flow Notches. Install in 01T.



33741B-03K with Flow Notches. Install in 01J.

Must match OE notched- or no-notched-valve for repair.

Figure 1



Oversized Clutch Control (KSV) Valve Kit



Part No.

33741B-03K

- Valve
- O-Rings (4) 2 extra

NOTE: This valve has flow control notches and must only be installed in 01J units. If your OE valve has NO flow control notches, STOP. You have an 01T unit and must install **33741B-02K** instead (Figure 1).

Tool Kit



Part No.

F-33741B-TL2

- Reamer
- Reamer Jig
- Guide Pin

NOTE: This tool kit can be used for both 01T (**33741B-02K**) and 01J (**33741B-03K**) clutch control valves. Ensure correct valve is installed into casting being worked on (Figure 1).

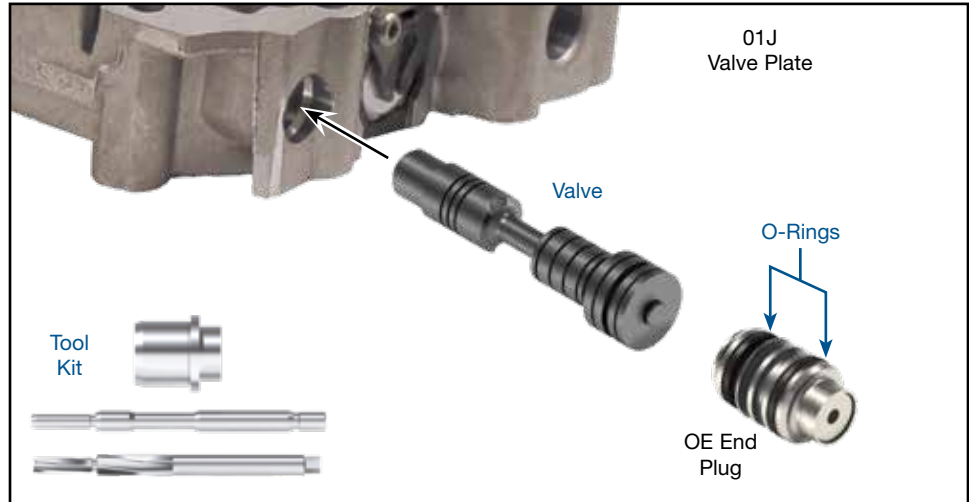
Sonnax "F-Tool" kits designed to service a specific bore require the VB-FIX, a self-aligning valve body reaming fixture. More information and instructions can be found online at www.sonnax.com.

Also Available

Oversized Clutch Control (KSV) Valve Kit

33741B-02K No Flow Notches (01T)

VW/Audi 01J



1. Disassembly

- Remove the OE KSV clutch control valve train from the bore.
- Keep the OE end plug and retaining pin for reuse and discard OE valve.

2. Bore Preparation

Ream clutch control bore (for reaming instructions/reamer care, please visit www.sonnax.com). Sonnax reaming tool kit **F-33741B-TL2** and **VB-FIX** are required for this operation.

3. Installation & Assembly

- Insert the Sonnax valve into the bore as shown. Check for free movement of the valve in the bore.
- Install a Sonnax O-ring onto the inboard and outboard grooves of the OE end plug.
- Lubricate the O-rings on the OE end plug as well as the bore with Sonnax Slippery Stick **O-LUBE** or equivalent and ease the end plug into the bore. Apply force to push the end plug forward and then, when resistance is felt, relax the force without allowing the end plug to move backwards. This technique, combined with the **O-LUBE**, allows O-rings to squirm into place and minimizes the chance of damage to the O-ring.

4. Final Testing

Vacuum tests at the ports indicated hold the recommended minimum amount of 14 & 16 in-HG.

