

Ford C4, C5

"C" Ratio Servo Kit

Part No.

K13259C

- Piston
- Cover Purple Anodized
- Lip Seal Small
- Lip Seal Large
- Servo Pin with Seal Grooves
- Gasket
- Retaining Ring
- Spring
- PTFE Seals (2)

Also Available

"C" Ratio Servo Kit

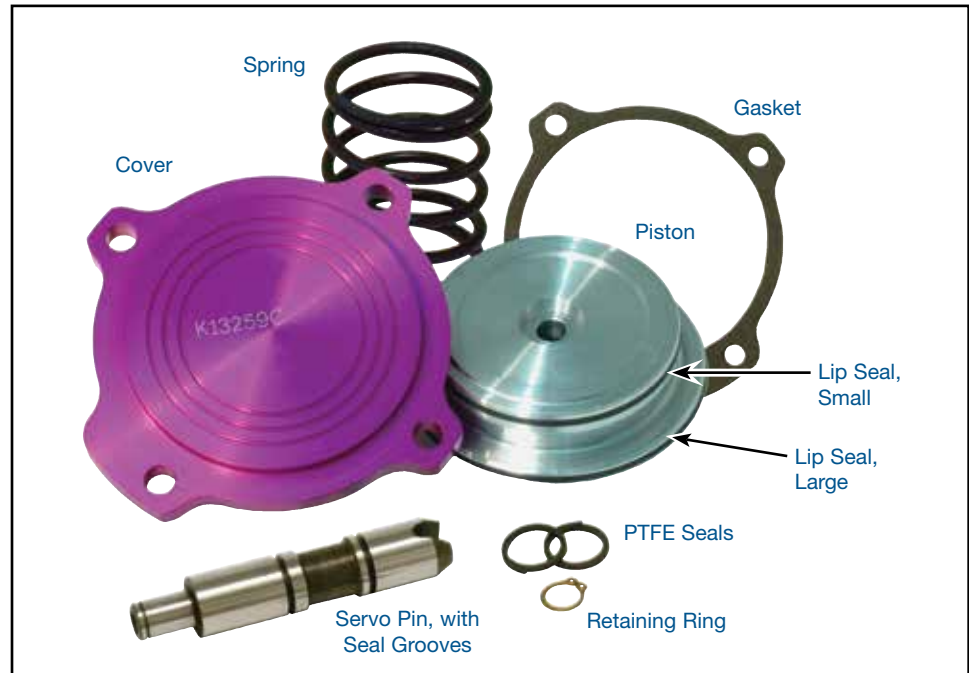
K13259C-1 Plain Aluminum Cover

Replacement Seal Kit

K13259C-SK

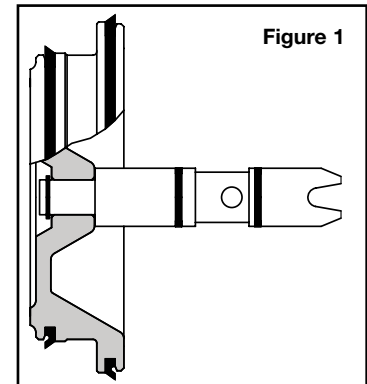
Lip Seal Retrofit Kit

K13259C-SKR



1. Servo Replacement

- Remove and discard the OE C4 intermediate servo assembly and any remaining gasket material on the case surface.
- Install the two Sonnax lip seals on the Sonnax piston with the lips facing away from each other (**Figure 1**) and secure it onto the Sonnax servo pin with the Sonnax snap ring.
- Replace the entire piston assembly with Sonnax "C" ratio servo assembly **K13259C** per the standard procedures.



2. Retrofit Case

- Remove the original Sonnax servo assembly and any remaining gasket material on the surface of the case or servo cover.
- Replace original Sonnax spring seal piston with new piston.
- Install the two Sonnax lip seals on the new piston with the lips facing away from each other (**Figure 1**) and secure it onto the servo pin with the new Sonnax snap ring.

NOTE: Sonnax C4 "C" ratio piston, piston cover and servo pin come pre-assembled and pre-lubed. However, you must apply an approved assembly lube to the O-rings and the large case bore, as well as to the PTFE seals on the servo pin prior to installing the piston assembly into the case.

Ford C4, C5

"C" Ratio Servo Kit

Part No.

K13259C-1

- Piston
- Cover
- Lip Seal Small
- Lip Seal Large
- Servo Pin with Seal Grooves
- Gasket
- Retaining Ring
- Spring
- PTFE Seals (2)

Also Available

"C" Ratio Servo Kit

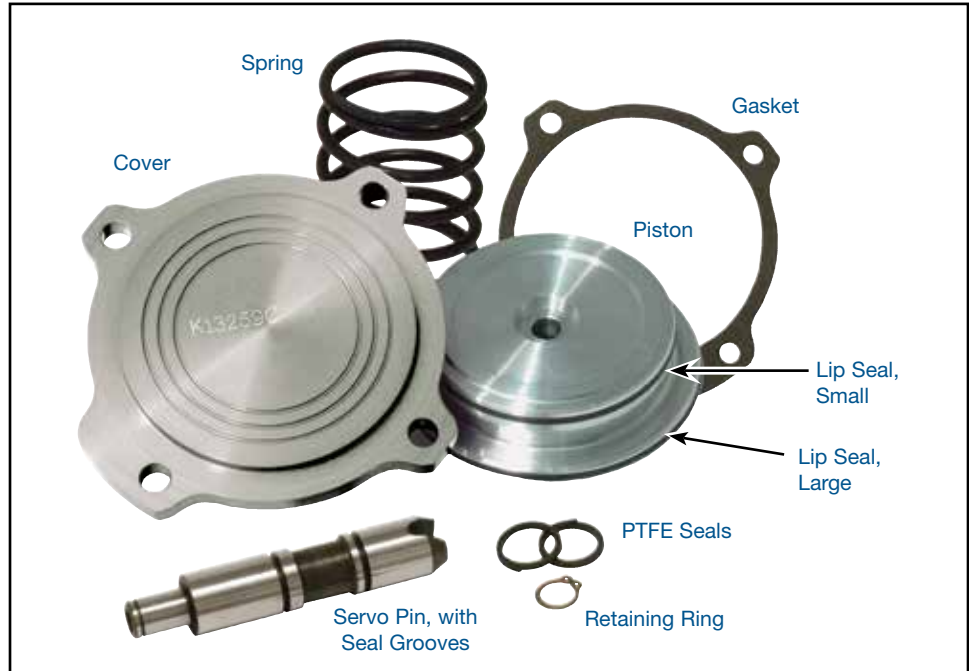
K13259C Purple Aluminum Cover

Replacement Seal Kit

K13259C-SK

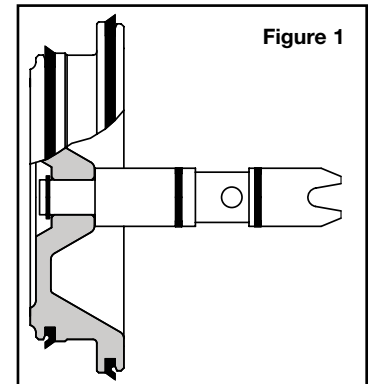
Lip Seal Retrofit Kit

K13259C-SKR



1. Servo Replacement

- a. Remove and discard the OE C4 intermediate servo assembly and any remaining gasket material on the case surface.
- b. Install the two Sonnax lip seals on the Sonnax piston with the lips facing away from each other (**Figure 1**) and secure it onto the Sonnax servo pin with the Sonnax snap ring.
- c. Replace the entire piston assembly with Sonnax "C" ratio servo assembly **K13259C-1** per the standard procedures.



2. Retrofit Case

- a. Remove the original Sonnax servo assembly and any remaining gasket material on the surface of the case or servo cover.
- b. Replace original Sonnax spring seal piston with new piston.
- c. Install the two Sonnax lip seals on the new piston with the lips facing away from each other (**Figure 1**) and secure it onto the servo pin with the new Sonnax snap ring.

NOTE: Sonnax C4 "C" ratio piston, piston cover and servo pin come pre-assembled and pre-lubed. However, you must apply an approved assembly lube to the O-rings and the large case bore, as well as to the PTFE seals on the servo pin prior to installing the piston assembly into the case.