

Oversized AFL/Solenoid Pressure Regulator Valve

Part No.
124740-01



Tool Kit

Part No.
F-104740-TL12

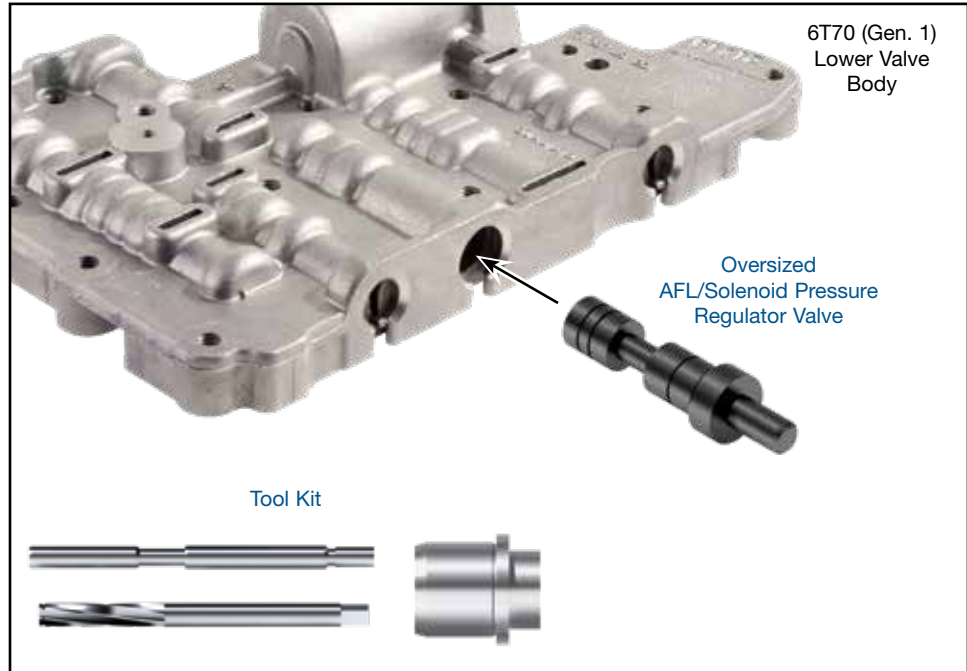


- Reamer
- Reamer Jig
- Guide Pin

NOTE: This tool kit can also be used to install oversized AFL valve kit **104740-12** in GM 6L45, 6L50, 6L80 and 6L90 valve bodies.

Sonnax “F-Tool” kits designed to service a specific bore require the VB-FIX, a self-aligning valve body reaming fixture. More information and instructions can be found online at www.sonnax.com.

Ford 6F50, 6F55; GM 6T70/75 (Gen. 1)



1. Disassembly

- Remove OE retainer and save for reuse.
- Remove OE valve.
- Review OE valve designs (**Figure 1**). If OE valve is Gen. 1, discard valve and proceed.



NOTE: If valve is Gen. 2, STOP! Must use required **124740-48K** and **F-124740-TL48** to repair the bore.

2. Bore Reaming

Ream AFL/solenoid pressure regulator bore (for reaming instructions/reamer care, please visit www.sonnax.com). Sonnax reaming tool kit **F-104740-TL12** and **VB-FIX** are required for this operation.

3. Installation & Assembly

- Be certain all debris has been removed from valve bore and valve body.
- Install Sonnax valve, spring stem outward.
- Reinstall OE spring and retainer.

4. Final Testing

Vacuum testing at the port(s) indicated holds the recommended minimum 18 in-Hg (**Figure 2**).

