

## Oversized Pressure Regulator Valve Kit

**Part No.**  
**95740-69K**



- Valve
- Sleeve

**NOTE:** Kit is not compatible with ZF6HP19/26/32 (Gen. 1) units. To differentiate between Gen. 1 and Gen. 2 valve bodies, refer to ZF Identification Guide at [www.sonnax.com](http://www.sonnax.com).

**WARNING:** Verify OE valve & sleeve measurements before use (Figure 2). There are some small diameter and length differences that can cause fit and pressure issues if mismatched into the wrong application. It is recommended to measure the locations shown here to verify that the correct OE or replacement part is fit into the appropriate application during rebuild.



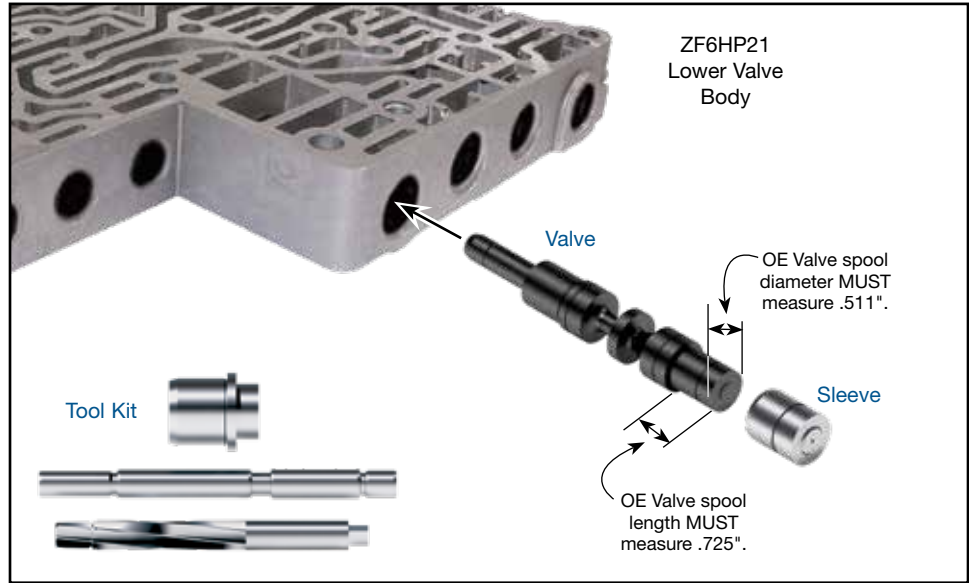
## Tool Kit

**Part No.**  
**F-95740-TL69**

- Reamer
- Reamer Jig
- Guide Pin

**NOTE:** Sonnax "F-Tool" kits designed to service a specific bore require the VB-FIX, a self-aligning valve body reaming fixture. More information and instructions can be found online at [www.sonnax.com](http://www.sonnax.com).

## ZF6HP21/28/34 (Gen. 2)



### 1. Disassembly

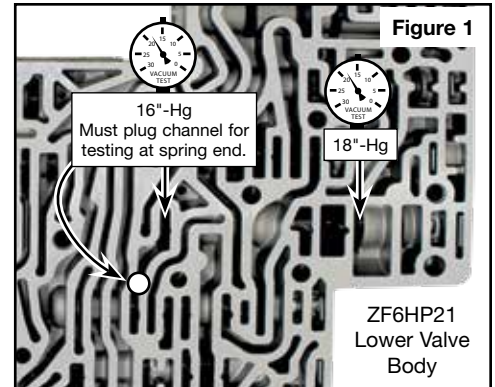
- Remove and discard OE pressure regulator valve and sleeve.
- Keep OE valve retainer and spring for reuse.

### 2. Bore Reaming

Ream pressure regulator bore (for reaming instructions/reamer care, please visit [www.sonnax.com](http://www.sonnax.com)). Sonnax reaming tool kit F-95740-TL69 and VB-FIX are required for this operation.

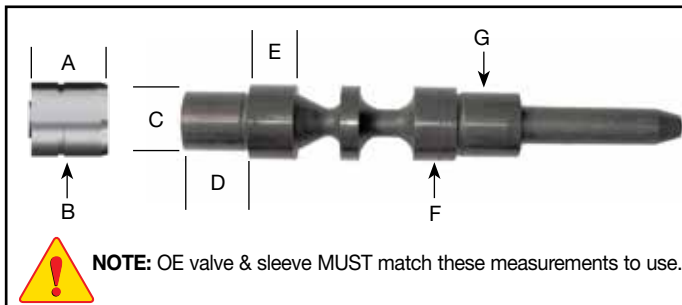
### 3. Installation & Assembly

- Reinstall OE spring.
- Install Sonnax valve and sleeve, ensuring spring stem faces inward as shown.
- Reinstall OE valve retainer.



### 4. Final Testing (Figure 1)

Vacuum testing at the port(s) indicated holds the recommended minimum 16 and 18 in-Hg.



**NOTE:** OE valve & sleeve MUST match these measurements to use.

Application	A	B	C	D	E	F	G
ZF6 Gen. 1, 6R60, 6R75, 6R80 ('09-'14)	.645"	.629" Dia.	.495" Dia.	.568"	.378"	.629" Dia.	.550" Dia.
ZF6 Gen. 1 w/053 Separator Plate	.725"	.657" Dia.	.511" Dia.	.649"	.378"	.657" Dia.	.586" Dia.
ZF6 Gen. 2	.804"	.629" Dia.	.511" Dia.	.725"	.418"	.629" Dia.	.562" Dia.
6R80 ('15-Later), 6R100	.645"	.629" Dia.	.511" Dia.	.568"	.378"	.629" Dia.	.550" Dia.

Figure 2