

## Oversized Secondary Pressure Regulator Valve Kit

Part No.

**47740-26K**

- Valve
- End Plug



## Tool Kit

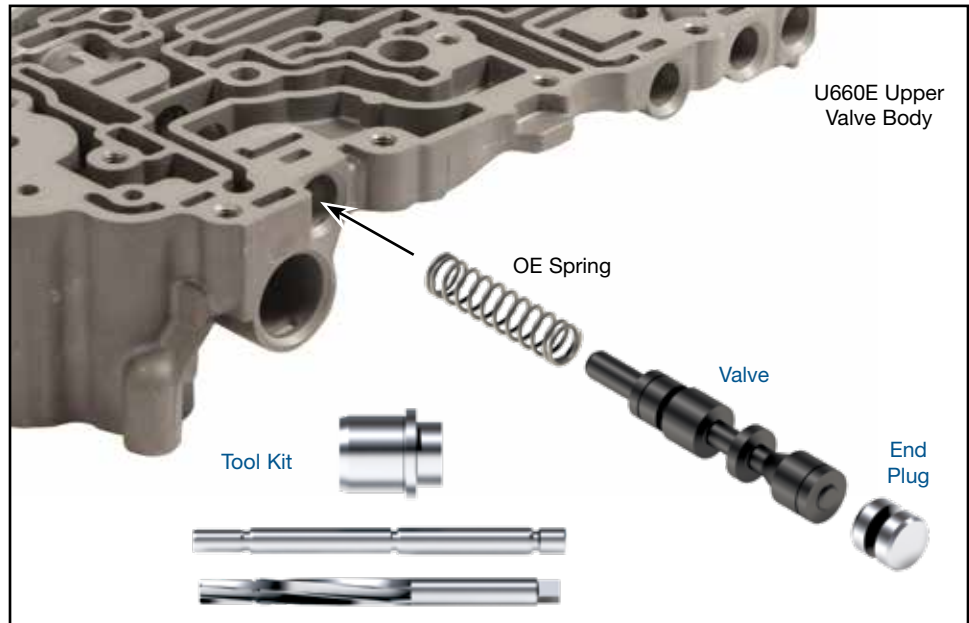
Part No.

**F-47740-TL26**

- Reamer
- Reamer Jig
- Guide Pin



## Toyota/Lexus U660E, U660F, U760E, U760F



**NOTE:** Sonnax “F-Tool” kits designed to service a specific bore require the VB-FIX, a self-aligning valve body reaming fixture. More information and instructions can be found online at [www.sonnax.com](http://www.sonnax.com).

### 1. Disassembly

- Remove OE retaining clip and keep for reuse.
- Remove and discard OE end plug and valve.
- Remove OE spring and save for reuse.

### 2. Bore Reaming

Ream secondary pressure regulator bore (for reaming instructions/reamer care, please visit [www.sonnax.com](http://www.sonnax.com)). Sonnax reaming tool kit **F-47740-TL26** and **VB-FIX** are required for this operation.

### 3. Installation & Assembly

- Ensure all debris has been removed from valve bore and valve body.
- Reinstall OE spring.
- Install Sonnax valve, spring guide first.
- Install Sonnax end plug.
- Reinstall OE retaining clip.

### 4. Final Testing

Vacuum tests at the ports indicated hold the recommended minimum 16 and 18 in.-Hg.

