

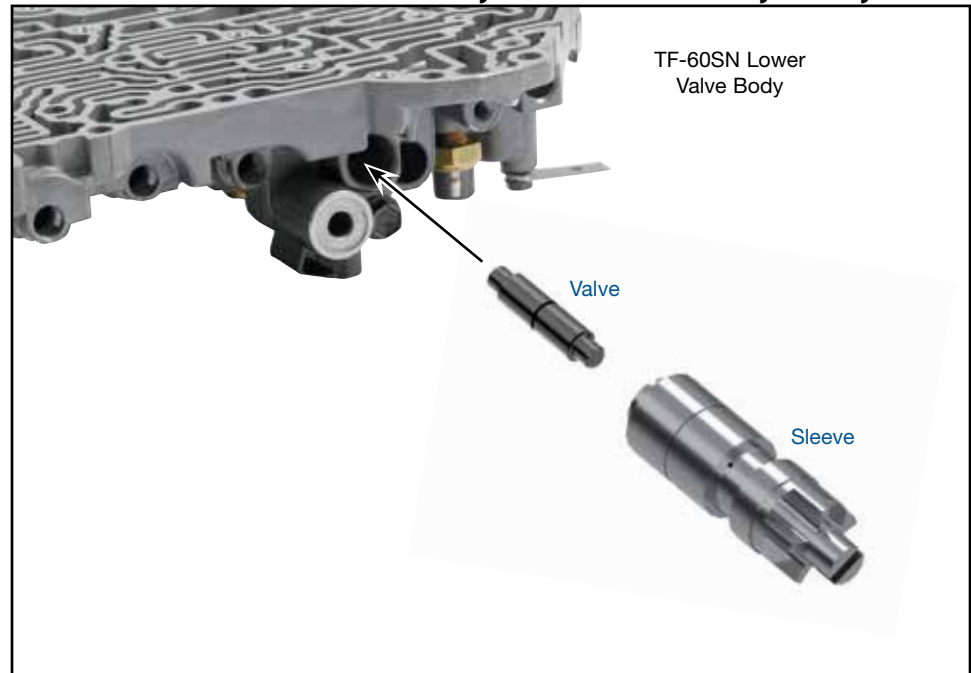
Boost Valve Kit

Part No.

15741-51K

- Valve
- Sleeve

Aisin AW TF-60SN; Mini 6F21WA; VW/Audi 09G, 09K, 09M



CAUTION: Observe and record the step location of retainer on OE sleeve end prior to removal.

1. Disassembly

Remove and discard OE boost sleeve and valve.

2. Installation & Assembly

- Install Sonnax boost valve and sleeve.
- Ensure retainer is set at the same step location on the Sonnax sleeve as it was for the OE sleeve.

3. Final Testing

Vacuum testing at the port(s) indicated holds the recommended minimum 18 in-Hg.

