

Oversized TCC Regulator Valve Kit

Part No.
144740-19K

- TCC Regulator Valve
- Shuttle Valve
- Spring
- End Plug



Tool Kit

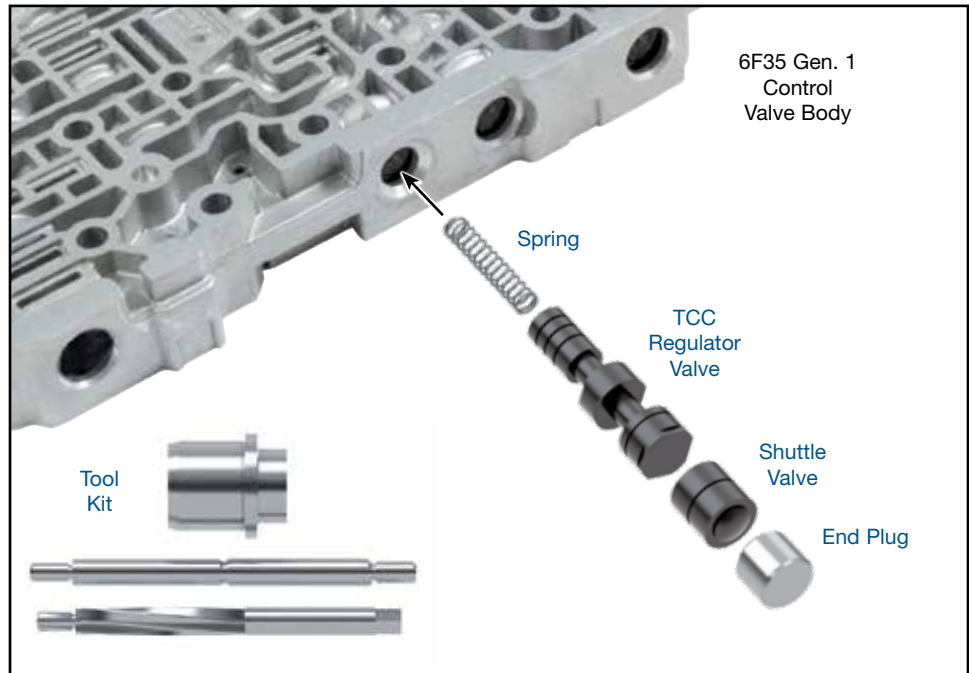
Part No.
F-144740-TL19

- Reamer
- Reamer Jig
- Guide Pin



NOTE: Sonnax “F-Tool” kits designed to service a specific bore require the VB-FIX, a self-aligning valve body reaming fixture. More information and instructions can be found online at www.sonnax.com.

Ford 6F35 (Gen. 1, 2 & 3)



1. Disassembly

- Remove OE retainer and save for reuse.
- Remove and discard OE end plug, shuttle valve, TCC regulator valve and spring.

2. Bore Reaming

Ream TCC regulator bore (for reaming instructions/reamer care, please visit www.sonnax.com). Sonnax reaming tool kit F-144740-TL19 and VB-FIX are required for this operation.

3. Installation & Assembly

- Be certain all debris has been removed from valve bore and valve body.
- Install Sonnax spring, followed by Sonnax TCC regulator valve, ensuring spring sits inside spring pocket.
- Install Sonnax shuttle valve and end plug.
- Reinstall OE retainer.

4. Final Testing

Vacuum testing at the port(s) indicated holds the recommended minimum 18 in-Hg.

