

6T30/40/45/50 (Gen. 1 & 2), 6T35/31/41/46/51 (Gen. 3 6T40)

Oversized TCC Regulator Valve Kit

Part No.
144740-16K



- Spring
- Regulator Valve
- Shuttle Valve
- End Plug
- O-Rings (2)

1 Extra

Tool Kit

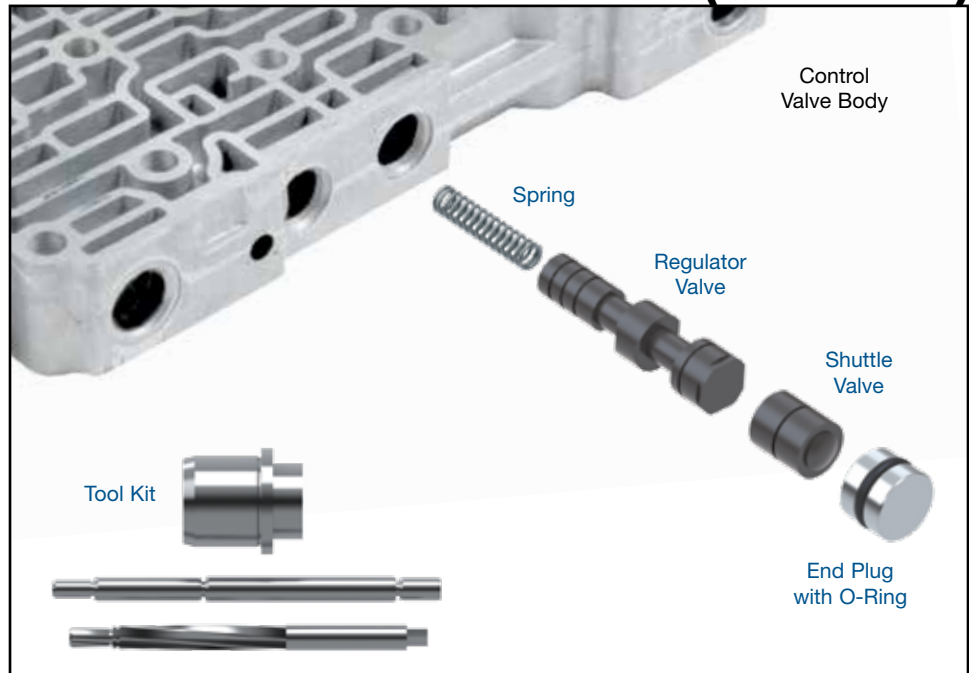
Part No.
F-144740-TL16



- Reamer
- Reamer Jig
- Guide Pin

NOTE: Sonnax “F-Tool” kits designed to service a specific bore require the VB-FIX, a self-aligning valve body reaming fixture. More information and instructions can be found online at www.sonnax.com.

WARNING: Required tool kit F-144740-TL16 is no longer in production. Check with your distributor for availability.



1. Disassembly

- Remove OE retainer and save for reuse.
- Remove and discard OE valve train.

2. Bore Reaming

Ream TCC regulator bore (for reaming instructions/reamer care, please visit www.sonnax.com). Sonnax reaming tool kit F-144740-TL16 and VB-FIX are required for this operation.

3. Installation & Assembly

- Be certain all debris has been removed from valve bore and valve body.
- Install Sonnax spring.
- Install Sonnax regulator valve, ensuring that the Sonnax spring fits inside the spring pocket (as shown).
- Install Sonnax shuttle valve and end plug with O-ring.
- Reinstall OE retainer.

4. Final Testing

A vacuum test at the port indicated holds 18 in-Hg or more.

