

## Reverse Checkball Sleeve

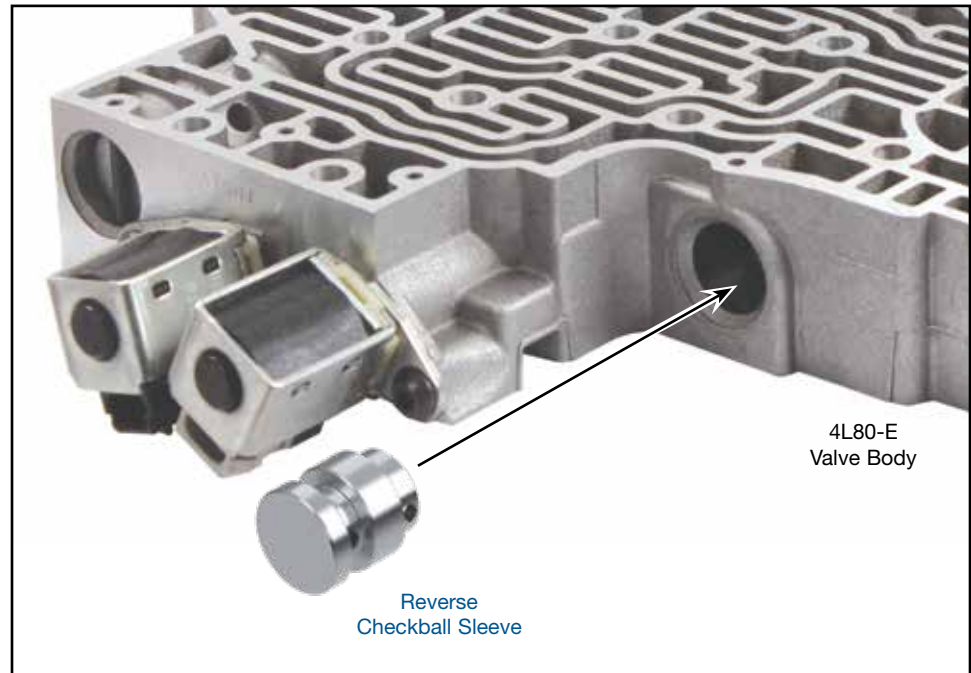
### Part No.

**34200-38**

- Reverse Checkball Sleeve (4)

**NOTE:** Fits units '95-later.

## GM 4L80-E, 4L85-E



### 1. Disassembly

- Remove OE spring pin and set aside for reuse.
- Remove and discard OE Reverse checkball sleeve.
- Save OE checkball for reuse.

### 2. Installation & Assembly

- Install OE checkball and Sonnax Reverse checkball sleeve.
- Reinstall OE spring pin.

### 3. Final Testing

Vacuum testing at the port(s) indicated holds the recommended minimum 16 in-Hg.

