

Oversized Lockup Control Valve Kit

Part No.
157740-16K



- Lockup Control Valve
- Plunger Valve
- Spring
- Sleeve

Tool Kit

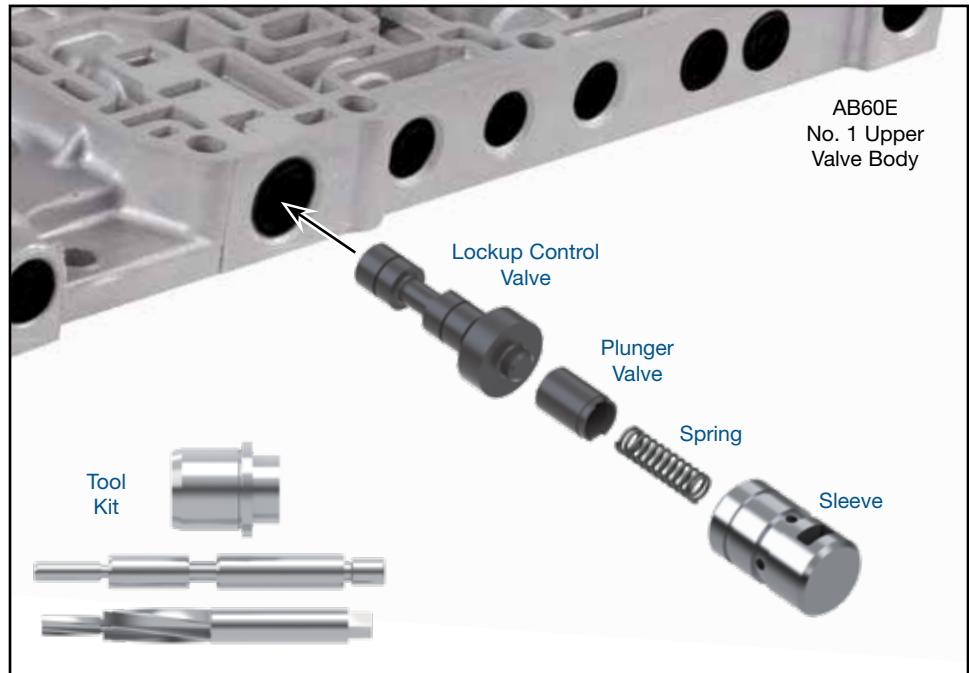
Part No.
F-157740-TL16



- Reamer
- Reamer Jig
- Guide Pin

NOTE: Sonnax "F-Tool" kits designed to service a specific bore require the VB-FIX, a self-aligning valve body reaming fixture. More information and instructions can be found online at www.sonnax.com.

Toyota\Lexus A760E, A760F, A760H, AB60E, AB60F



1. Disassembly

- Remove OE retainer, set aside for reuse.
- Remove and discard OE sleeve, spring, plunger valve and lockup control valve.

2. Bore Reaming

Ream lockup control bore (for reaming instructions/reamer care, please visit www.sonnax.com). Sonnax reaming tool kit **F-157740-TL16** and **VB-FIX** are required for this operation.

3. Installation & Assembly

- Be certain all debris has been removed from valve bore and body.
- Install Sonnax lockup control valve into bore.
- Install Sonnax spring into Sonnax plunger valve spring pocket.
- Install Sonnax plunger valve and spring into Sonnax sleeve, spring in first. Make sure spring remains in plunger valve spring pocket.
- Install Sonnax plunger valve and sleeve assembly into bore.
- Reinstall OE retainer.

4. Final Testing

Vacuum testing at the port(s) indicated holds the recommended minimum 16 in-Hg.

