

Oversized 2–6 Pressure Control Valve Kit

Part No.
102741-16K



- Valve
- Spring
- Solenoid Snout Sleeve

Tool Kit

Part No.
F-102741-TL16



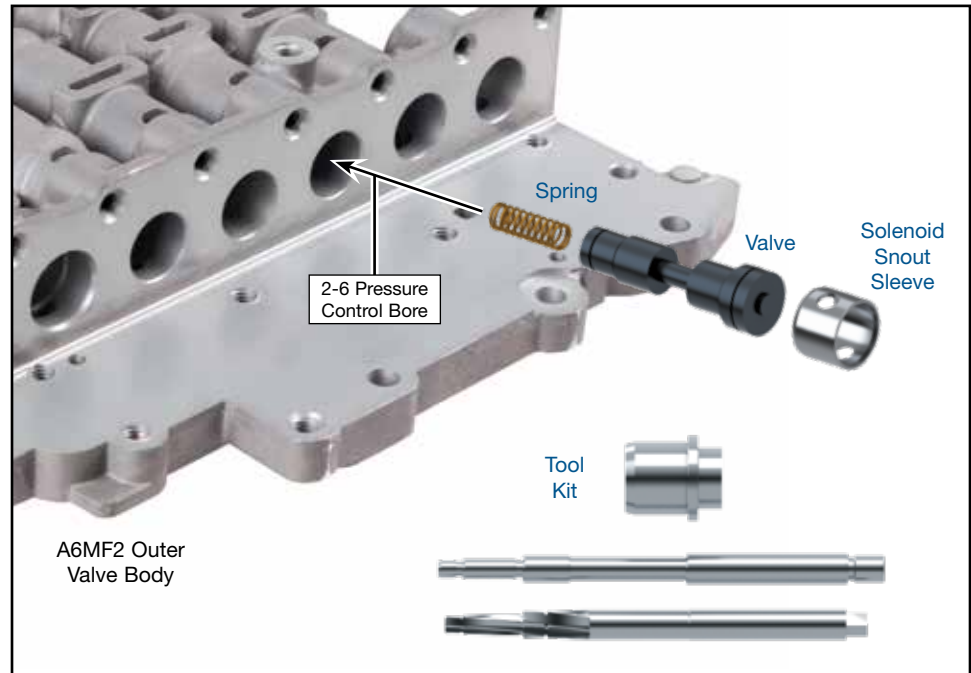
- Reamer
- Reamer Jig
- Guide Pin

NOTE: Sonnax “F-Tool” kits designed to service a specific bore require the VB-FIX, a self-aligning valve body reaming fixture. More information and instructions can be found online at www.sonnax.com.

WARNING: Required tool kit F-102741-TL16 is no longer in production but may be available from distributor inventory.



Hyundai/Kia A6GF1, A6LF1/2/3, A6MF1/2



CAUTION: Prior to removal of spring adjustment plug, measure and record distance from end of plug to the casting. This dimension must be matched during reassembly.

1. Disassembly

- Remove and save OE adjustment plug retaining clip.
- Measure and record adjustment plug-to-casting distance, then remove and save OE adjustment plug (**Figure 1**).
- Remove OE solenoid retaining bracket and solenoid. Set both aside for reuse.
- Remove and discard OE valve and spring.

2. Bore Reaming

Ream 2–6 pressure control valve bore (for reaming instructions/reamer care, please visit www.sonnax.com). Sonnax reaming tool kit **F-102741-TL16** and **VB-FIX** are required for this operation.

3. Installation & Assembly

- Be certain all debris has been removed from valve bore and body.
- Reinstall OE spring adjustment plug and set to the reference dimension noted in disassembly procedure, then reinstall OE adjustment plug retaining clip.

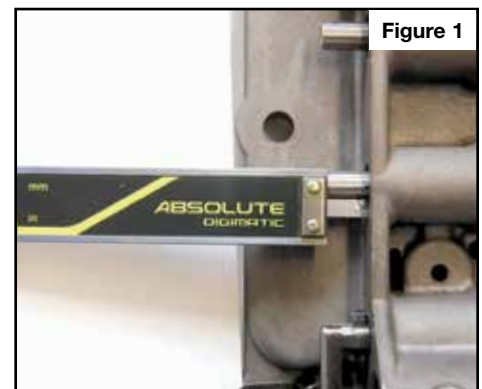


Figure 1

3. Installation & Assembly (continued)



NOTE: To reduce pressure loss past the spring adjustment plug threads, an ATF-compatible thread sealant can be used. Permatex® 24163 surface prep activator combined with blue Threadlocker works well for this purpose. Compound used must not create a permanent set.

- c. Install Sonnax spring, followed by Sonnax valve; ensure spring is secured in valve spring pocket during installation.
- d. Clean solenoid snout and inside of Sonnax solenoid sleeve. Apply a drop of green retaining compound (Loctite® 609 or equivalent) inside solenoid sleeve.



WARNING: Avoid applying retaining compound near feed holes in sleeve.

- e. Use arbor press to install solenoid sleeve onto solenoid snout, large OD chamfer facing away from the solenoid body. Use least force necessary, applied smoothly, setting sleeve flush with end of snout (**Figure 2**).



CAUTION: Ensure holes are oriented over ports in the solenoid snout. Carefully wipe away excess retaining compound.

- f. Reinstall OE solenoid and solenoid retaining bracket.

4. Final Testing

Vacuum testing at the port(s) indicated holds the recommended minimum 16 and 18 in-Hg (**Figure 3**).

