

Oversized TCC Apply Regulator & Boost Valve Kit

Part No.
126740-15K



- TCC Apply Regulator Valve
- Spring
- Boost Valve
- Boost Sleeve

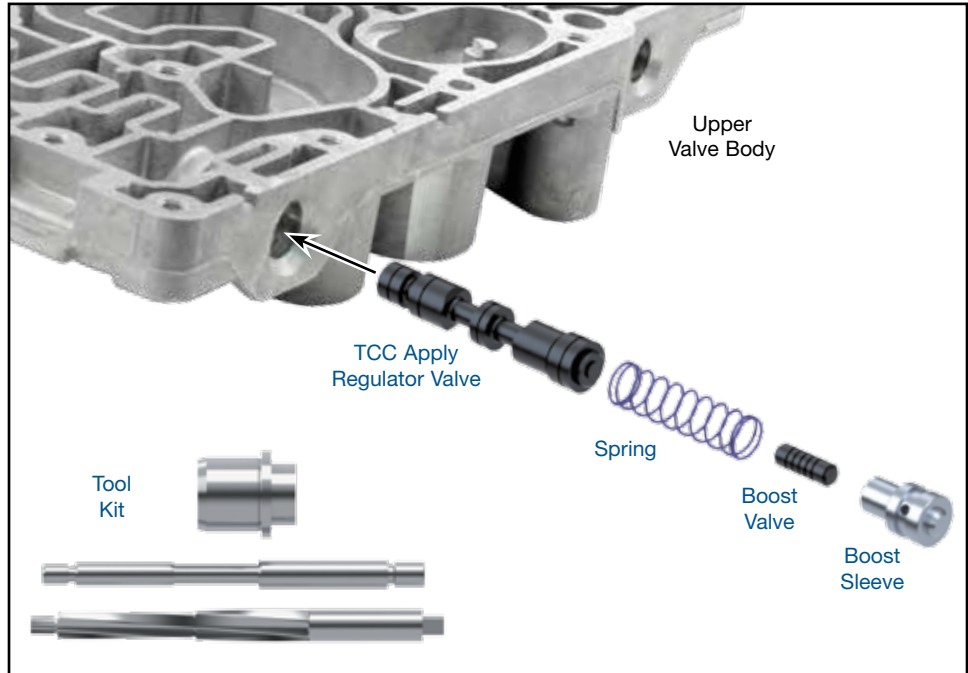
Tool Kit

Part No.
F-126740-TL15



- Reamer
- Reamer Jig
- Guide Pin

NOTE: Sonnax “F-Tool” kits designed to service a specific bore require the VB-FIX, a self-aligning valve body reaming fixture. More information and instructions can be found online at www.sonnax.com.



Ford 6R140

1. Disassembly

- Remove OE retaining clip, set aside for reuse.
- Remove and discard OE boost valve and sleeve, spring and TCC apply regulator valve.

2. Bore Reaming

Ream TCC apply regulator bore (for reaming instructions/reamer care, please visit www.sonnax.com). Sonnax reaming tool kit **F-126740-TL15** and **VB-FIX** are required for this operation.

3. Installation & Assembly

- Ensure all debris has been removed from valve bore and body.
- Install Sonnax TCC apply regulator valve, followed by Sonnax spring.
- Install Sonnax boost assembly, ensuring the undercut is seated inside spring.
- Reinstall OE retaining clip.

4. Final Testing

Vacuum testing at the port(s) indicated holds the recommended minimum 16 in-Hg and 18 in-Hg.

