

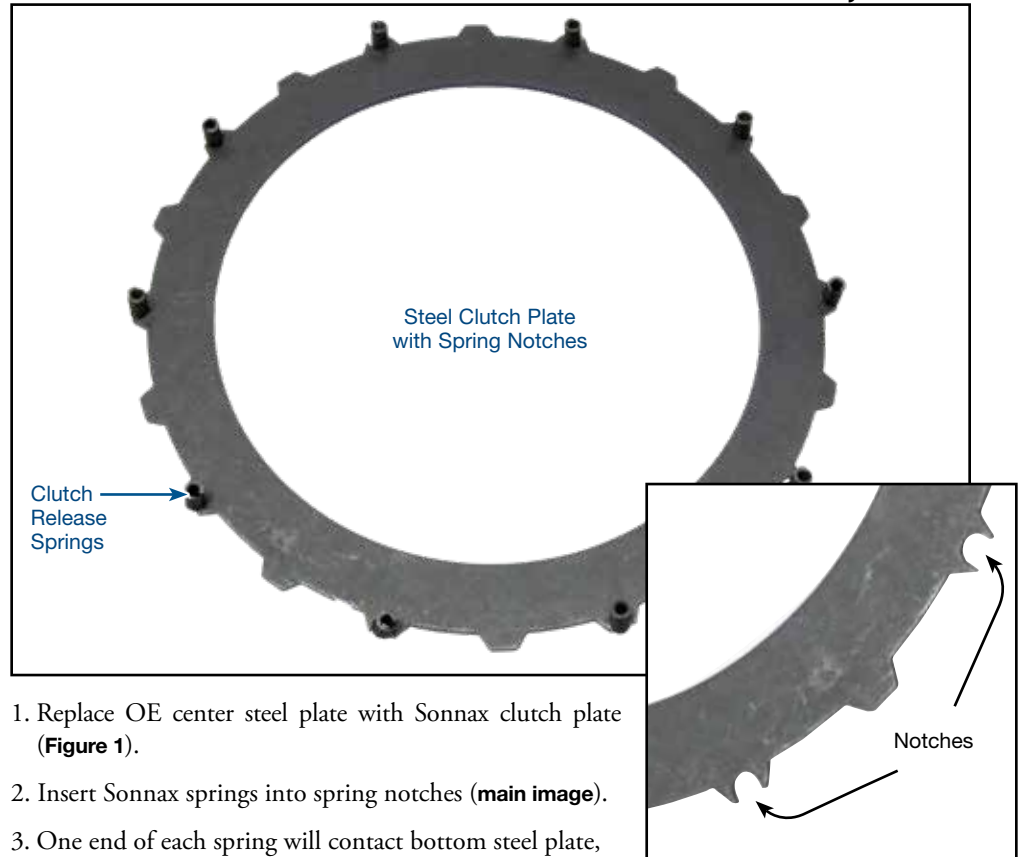
## Clutch Release Kit

### Part No.

### MB-CP-10KA

- Steel Clutch Plate with Spring Notches
- Clutch Release Springs (10)

## Mercedes 722.6, 722.9



1. Replace OE center steel plate with Sonnax clutch plate (**Figure 1**).
2. Insert Sonnax springs into spring notches (**main image**).
3. One end of each spring will contact bottom steel plate, other end will contact pressure plate (**Figure 1**).

