

## Oversized Lube Regulator Valve Kit

**Part No.**  
**33740-04K**

- Valve
- End Plug



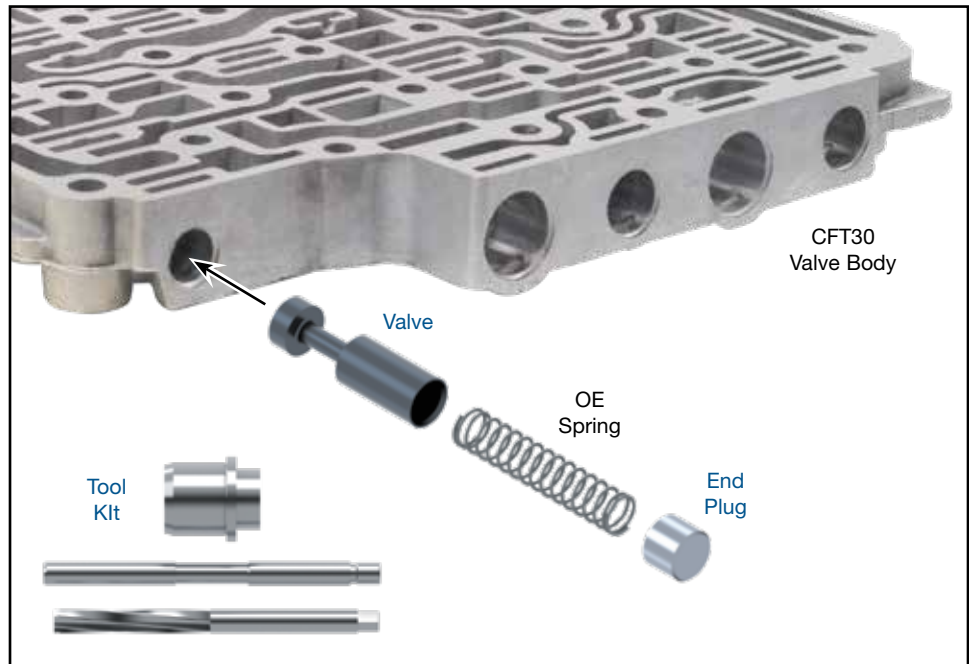
## Tool Kit

**Part No.**  
**F-33740-TL4**

- Reamer
- Reamer Jig
- Guide Pin



**NOTE:** Sonnax “F-Tool” kits designed to service a specific bore require the VB-FIX, a self-aligning valve body reaming fixture. More information and instructions can be found online at [www.sonnax.com](http://www.sonnax.com).



### 1. Disassembly

- Remove OE retainer, set aside for reuse.
- Remove and discard OE end plug.
- Remove OE spring, set aside for reuse.
- Remove and discard OE valve.

### 2. Bore Reaming

Ream lube regulator valve bore (for reaming instructions/reamer care, please visit [www.sonnax.com](http://www.sonnax.com)). Sonnax reaming tool kit **F-33740-TL4** and **VB-FIX** are required for this operation.

### 3. Installation & Assembly

- Ensure valve bore and valve body are clean and clear of all debris.
- Install Sonnax valve.
- Reinstall OE spring. Ensure spring seats in valve spring pocket.
- Install Sonnax end plug and secure with OE retainer.

### 4. Final Testing

Vacuum testing at the port(s) indicated holds the recommended minimum 16 and 18 in-Hg.

