

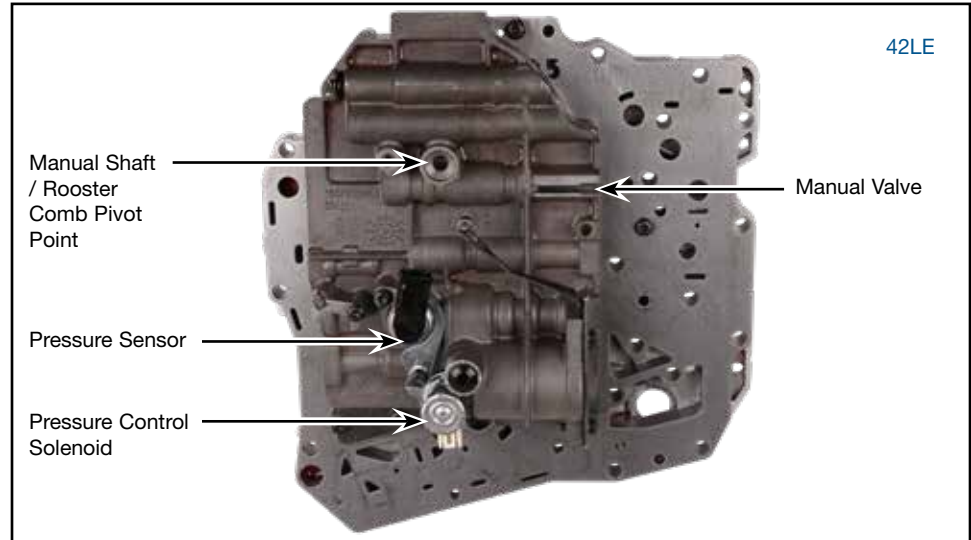
42LE, 42RLE Remanufactured Valve Body (VLP)

Part No.

CHR402

NOTE: Save your existing manual shaft and manual valve for reuse with our remanufactured valve body.

Manual Valve Bore Damage



Mishandling or shipping Sonnax 42LE VLP remanufactured valve body **CHR402** with the manual shaft/rooster comb attached to the valve body can cause the manual valve bore to be crushed enough to jam the manual valve in the bore.

The pivot point for the manual shaft/rooster comb is next to the manual valve bore. It only takes a small hit to the manual shaft to damage the manual valve bore because the metal between them is so thin. Care must be taken during removal and installation to insure the manual shaft is not loaded to one side or bumped.