

## Oversized Solenoid Regulator Valve Kit

Part No.  
**76948-47K**



- Valve
- Spring

## Tool Kit

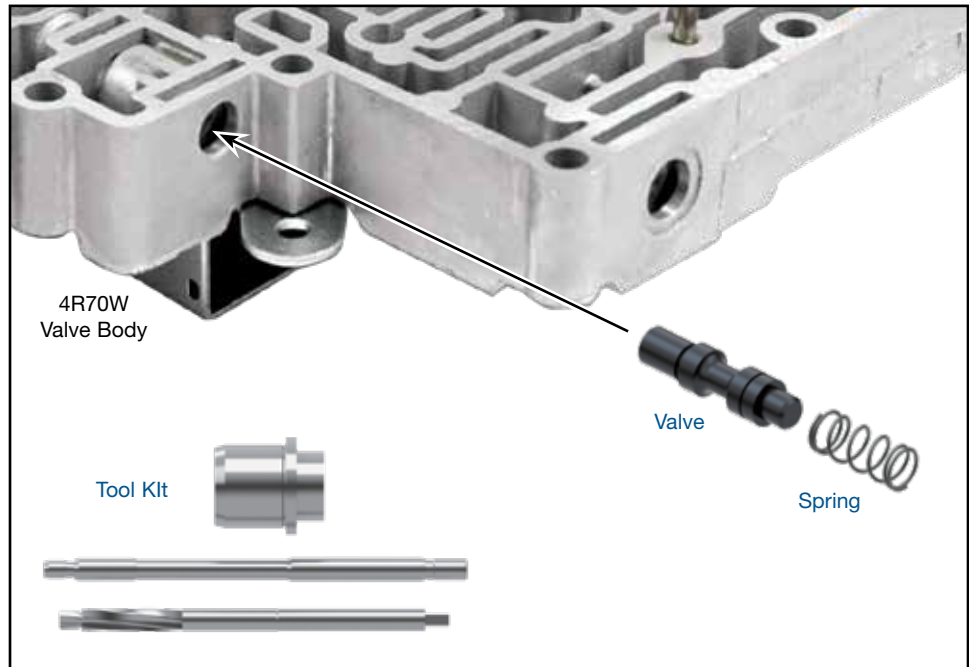
Part No.  
**F-76948-TL47**



- Reamer
- Reamer Jig
- Guide Pin

**NOTE:** Sonnax "F-Tool" kits designed to service a specific bore require the VB-FIX, a self-aligning valve body reaming fixture. More information and instructions can be found online at [www.sonnax.com](http://www.sonnax.com).

## Ford 4R70E, 4R70W, 4R75E, 4R75W, AODE



### 1. Disassembly

- Remove OE retainer, set aside for reuse.
- Remove and discard OE spring and valve.

### 2. Bore Reaming

Ream solenoid regulator bore (for reaming instructions/reamer care, please visit [www.sonnax.com](http://www.sonnax.com)). Sonnax reaming tool kit **F-76948-TL47** and **VB-FIX** are required for this operation.

### 3. Installation & Assembly

- Ensure valve bore and body are clean and clear of debris.
- Install Sonnax valve, longer spool end pointed inward.
- Install Sonnax spring, ensuring it seats over outboard valve stem.
- Compress spring and reinstall OE retainer.

### 4. Final Testing

Vacuum testing at the port(s) indicated holds the recommended minimum 18 in-Hg.

