

Oversized Secondary Pressure Regulator Valve Kit

Part No.
37740-07K

- Valve
- End Plug



Tool Kit

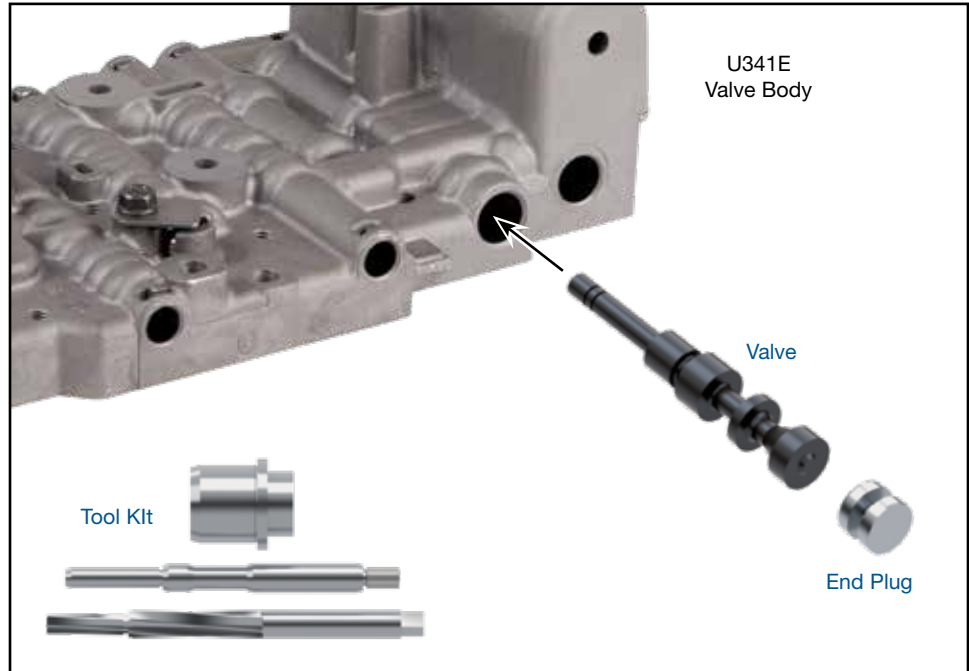
Part No.
F-37740-TL7

- Reamer
- Reamer Jig
- Guide Pin



NOTE: Sonnax “F-Tool” kits designed to service a specific bore require the VB-FIX, a self-aligning valve body reaming fixture. More information and instructions can be found online at www.sonnax.com.

Toyota/Lexus U341E, U341F



1. Disassembly

- Remove OE end plug retainer. Set aside for reuse.
- Remove and discard OE end plug and secondary regulator valve.
- Remove OE spring. Set aside for reuse.

2. Bore Reaming

Ream secondary regulator valve bore (for reaming instructions/reamer care, please visit www.sonnax.com). Sonnax reaming tool kit **F-37740-TL7** and **VB-FIX** are required for this operation.

3. Installation & Assembly

- Ensure all debris has been removed from valve bore and body.
- Reinstall OE spring.
- Install Sonnax valve with spring stem oriented inboard.
- Install Sonnax end plug and secure with OE retainer.

4. Final Testing

Vacuum testing at the port(s) indicated holds the recommended minimum 16 in-Hg and 18 in-Hg.

