

## Extreme Duty Forward Clutch Hub Kit

### Part No.

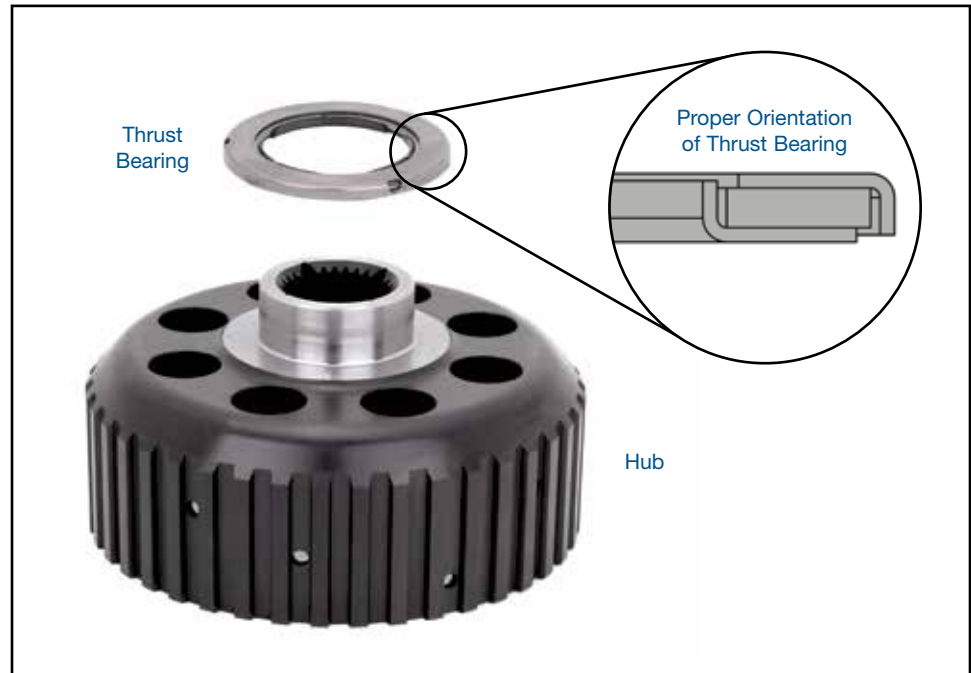
**34322-02K**

- Thrust Bearing
- Hub



**NOTE:** Not compatible with '64-'66 TH400 main shafts with major diameter of spline about .980". To use the Sonnax hubs in these early units a 67'-later main shaft with major diameter of spline about .970" must be used.

## GM TH400, TH425, 4L80-E, 4L85-E



**WARNING:** Compared to OE or other replacement forward clutch hubs, this hub and bearing combination has an additional .025" thickness designed-in to reduce endplay and provide further endplay adjustment options.

**NOTE:** No machining is required for typical installation.

**NOTE:** This forward clutch hub and bearing combination shifts the support of the forward clutch hub from the main shaft to the direct housing and sun gear shaft.

**NOTE:** Preassemble unit to check and set endplay before final transmission assembly.

### Directions

- Stack bearing and forward clutch hub onto direct clutch housing.
- Place bronze washer on top of forward clutch hub.
- Place forward clutch housing on top of bronze washer.
- Install pump cover and gasket.



**NOTE:** For 4L80E, install necessary overdrive components to allow endplay check.

- Check front end play. Ensure output shaft is pre-loaded forward when checking front endplay. See front endplay selective washers and specifications (**Figures 1 & 2**).
- If endplay is too tight, material can be removed from following locations as needed.
  - Front of direct clutch housing
  - Rear of forward clutch hub
  - Rear of forward clutch housing

Figure 1

4L80E Front Selective Thrust Washers			
Thickness	Identification Color	OE #	INDUSTRY #
.123"	Black	8677575	34211HE
.107"	Green	8677574	34211HD
.091"	Brown	8677573	34211HC
.075"	Red	8677572	34211HB
.059"	Blue	8677571	34211HA
Front End Play Specification			.004-.022"
Rear End Play Specification			.005-.025"

Figure 2

THM400 Front Selective Thrust Washers			
Thickness	Identification Color	OE #	INDUSTRY #
.130"	Purple	8623306	34211G
.117"	Black	8623305	34211E
.106"	Green	8623304	34211D
.095"	Brown	8623303	34211C
.084"	Red	8623302	34211B
.073"	Blue	8623301	34211A
.062" **	Yellow	8623300	34211
Front End Play Specification			.003-.024"
Rear End Play Specification			.007-.019"

\*\*Check to ensure lube passage at rear of pump cover is not crowded by forward clutch housing.