

Oversized Forward & Reverse Abuse Valve Kit



Part No.

77754-58K

- Valve
- Plug
- Spring

Tool Kit



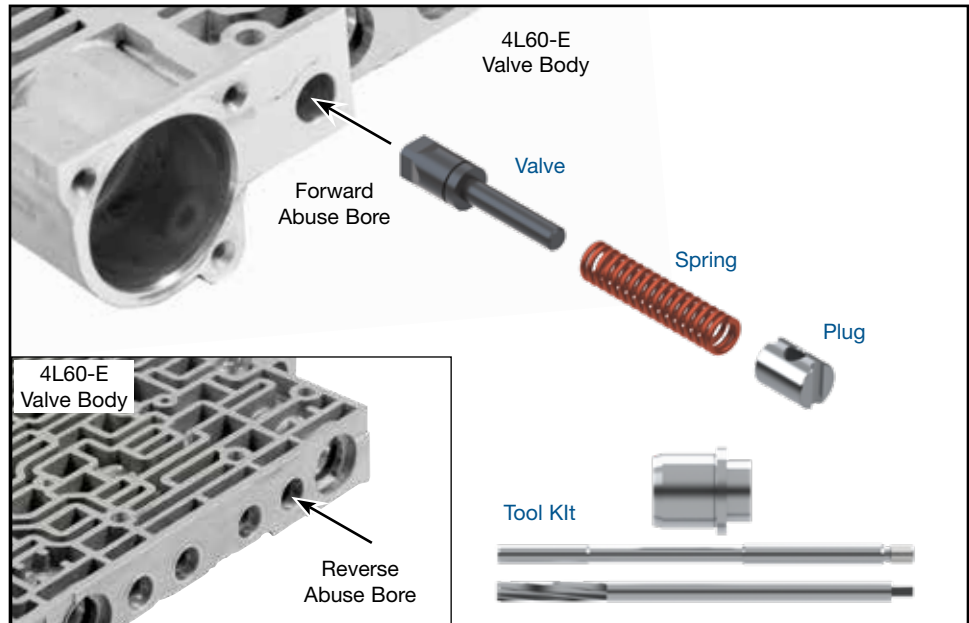
Part No.

F-77754-TL58

- Reamer
- Reamer Jig
- Guide Pin

NOTE: Sonnax "F-Tool" kits designed to service a specific bore require the VB-FIX, a self-aligning valve body reaming fixture. More information and instructions can be found online at www.sonnax.com.

GM 4L60-E, 4L65-E, 4L70-E



1. Disassembly

- Remove and retain the outer 3-2 downshift valve lineup (reverse abuse) or low overrun valve lineup (forward abuse).
- Remove rolled spring pin and save for reuse. Remove abuse bore plug and discard.
- Remove and discard forward or reverse abuse valve and spring.
- If reaming the reverse bore, remove the solenoid immediately adjacent to the bore.

2. Bore Reaming

Ream forward or reverse abuse bore (for reaming instructions/reamer care, please visit www.sonnax.com). Sonnax reaming tool kit **F-77754-TL58** and **VB-FIX** are required for this operation.

3. Installation & Assembly

- Be certain all debris has been removed from the valve bore and valve body.
- Install Sonnax valve and spring, referring to main photo for proper orientation and alignment.

NOTE: The Sonnax valve and spring work in either the forward or reverse abuse locations.
- Install Sonnax bore plug and retain with OE pin.
- Reinstall OE 3-2 downshift valve lineup (reverse abuse) or low overrun valve lineup (forward abuse).

4. Final Testing

Vacuum testing at the port(s) indicated holds the recommended minimum 18 in-Hg.

