

Oversized Pressure Regulator Valve Kit

Part No.

124740-60K

- Valve
- End Plug

Tool Kit

Part No.

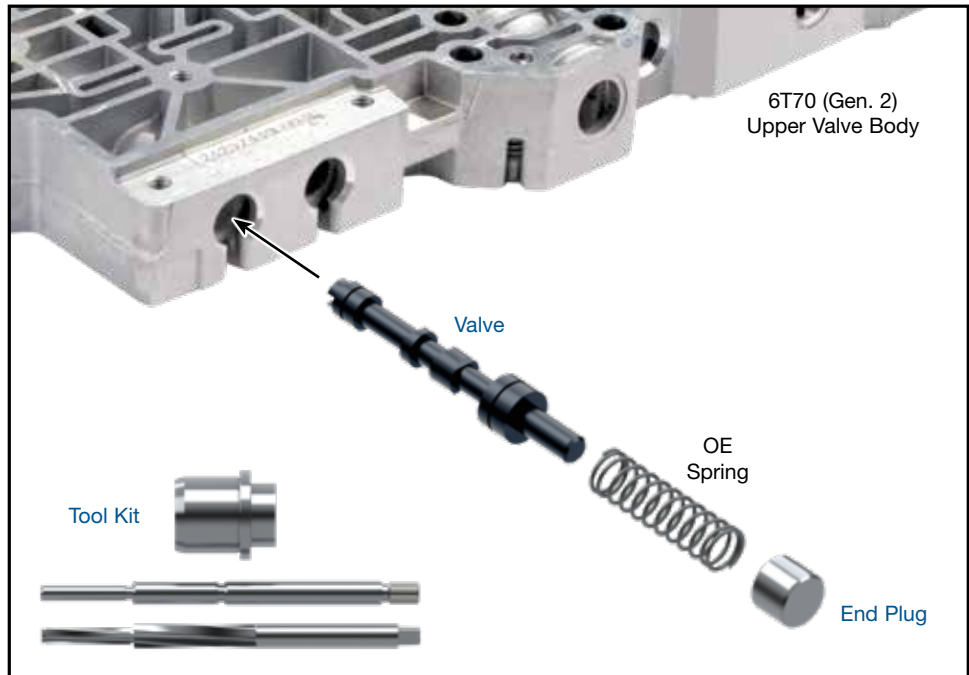
F-124740-TL60

- Reamer
- Reamer Jig
- Guide Pin



NOTE: Sonnax “F-Tool” kits designed to service a specific bore require the VB-FIX, a self-aligning valve body reaming fixture. More information and instructions can be found online at www.sonnax.com.

GM 6T70 (Gen. 2), 6T75 (Gen. 2), 6T80 (Gen. 2)



1. Disassembly

- Remove OE retaining clip and spring, and set aside for reuse.
- Remove and discard OE end plug and pressure regulator valve.

2. Bore Reaming

Ream pressure regulator bore (for reaming instructions/reamer care, please visit www.sonnax.com). Sonnax reaming tool kit **F-124740-TL60** and **VB-FIX** are required for this operation.

NOTE: Clear chips from reamer and bore often to ensure full ream depth in blind bore.

3. Installation & Assembly

- Be certain all debris has been removed from valve bore and valve body.
- Install Sonnax pressure regulator valve.
- Reinstall OE spring.
- Install Sonnax end plug.
- Reinstall OE retaining clip.

4. Final Testing

Vacuum testing at the port(s) indicated holds the recommended minimum 14 and 18 in.-Hg.

