

Oversized Converter Limit Valve Kit



Part No.
76948-58K

- Valve
- Spring

Tool Kit

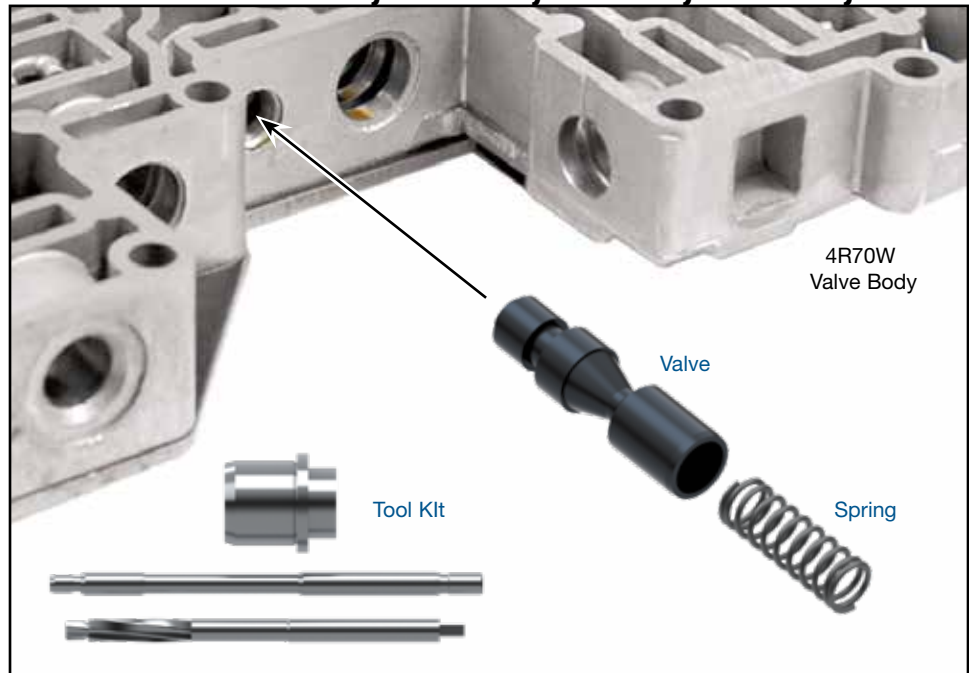


Part No.
F-76948-TL47

- Reamer
- Reamer Jig
- Guide Pin

NOTE: Sonnax “F-Tool” kits designed to service a specific bore require the VB-FIX, a self-aligning valve body reaming fixture. More information and instructions can be found online at www.sonnax.com.

Ford 4R70E, 4R70W, 4R75E, 4R75W, A0DE



1. Disassembly

- Remove OE converter limit valve retainer, spring and valve from bore.
- Set aside OE retainer for reuse.
- Discard OE valve and spring.

2. Bore Reaming

Ream converter limit valve bore (for reaming instructions/reamer care, please visit www.sonnax.com). Sonnax reaming tool kit **F-76948-TL47** and **VB-FIX** are required for this operation.

3. Installation & Assembly

- Be certain all debris has been removed from the valve bore and valve body.
- Install Sonnax converter limit valve with spring pocket oriented outboard.
- Install Sonnax spring, ensuring spring sits inside valve spring pocket.
- Reinstall OE retainer.

4. Final Testing

Vacuum testing at the port(s) indicated holds the recommended minimum 18 in-Hg.

