

Oversized Pressure Regulator Valve Kit

Part No.
122740-07K



- Valve
- Spring
- End Plug

Tool Kit

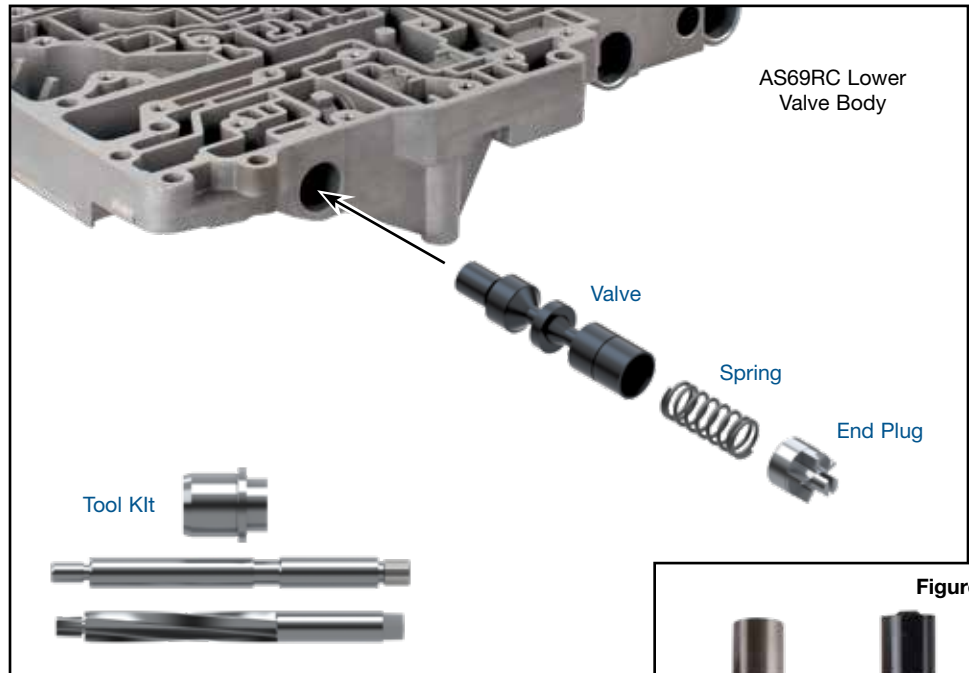
Part No.
F-122740-TL7



- Reamer
- Reamer Jig
- Guide Pin

NOTE: Sonnax “F-Tool” kits designed to service a specific bore require the VB-FIX, a self-aligning valve body reaming fixture. More information and instructions can be found online at www.sonnax.com.

Aisin Seiki AS66RC, AS69RC



AS69RC Lower Valve Body

Valve

Spring

End Plug

Tool Kit

Figure 1



OE Valve

Sonnax Valve



WARNING: Make sure to check the step position of the OE retainer before disassembling the valve body.

1. Disassembly

- Note step location of end plug retaining clip.
- Remove and save OE retainer. Discard OE spring, valve and end plug.

2. Bore Reaming

Ream pressure regulator bore (for reaming instructions/reamer care, please visit www.sonnax.com). Sonnax reaming tool kit **F-122740-TL7** and **VB-FIX** are required for this operation.

3. Installation & Assembly

- Be certain all debris has been removed from the valve bore and valve body.
- Install Sonnax valve, spring and end plug.
- Reinstall OE retainer, making sure it's in the same step position as noted previously.

4. Final Testing

Vacuum testing at the port(s) indicated holds the recommended minimum 14 and 18 in.-Hg.

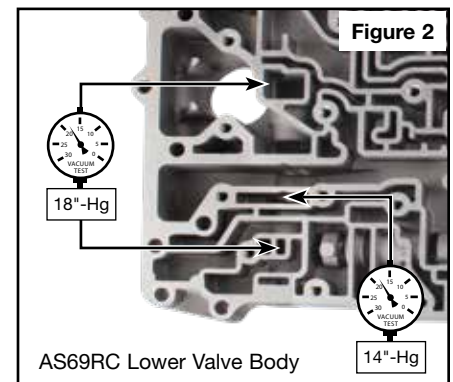


Figure 2

AS69RC Lower Valve Body

14"-Hg