

## 6T30/40/45/50 (Gen. 1 & 2), 6T35/31/41/46/51 (Gen. 3 6T40)

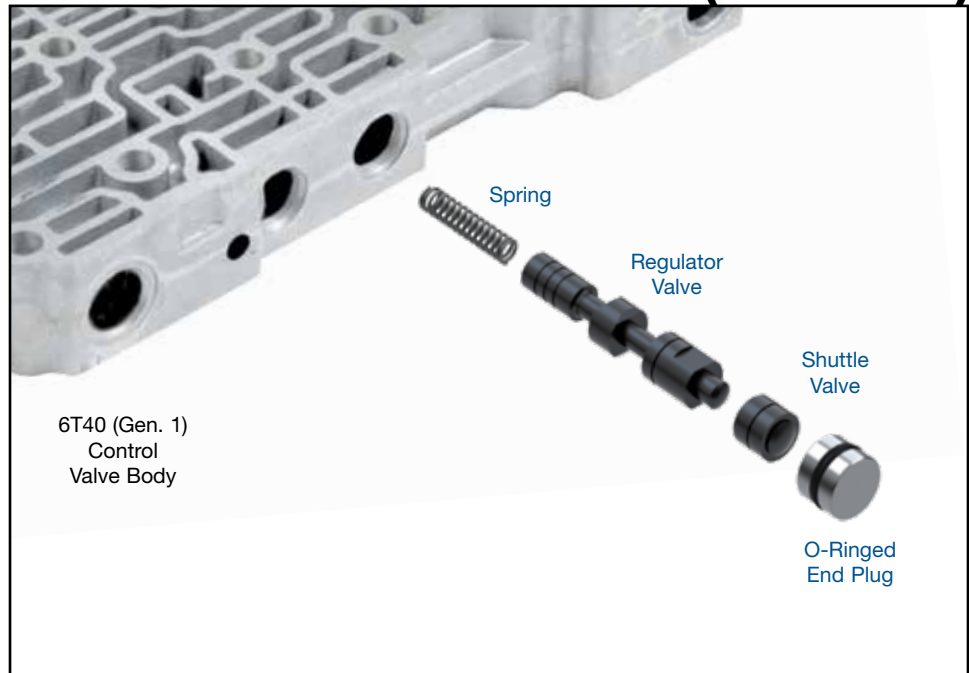
### TCC Regulator Valve Kit

**Part No.**

**144740-38K**

- Regulator Valve
- Shuttle Valve
- Spring
- End Plug
- O-Rings (2)

1 Extra



#### 1. Disassembly

- Remove OE retainer and save for reuse.
- Remove and discard OE end plug, shuttle valve, TCC regulator valve and spring.

#### 3. Installation & Assembly

- Insert Sonnax spring into small spring pocket on Sonnax TCC regulator valve.
- Insert TCC regulator valve into bore, spring end first.
- Insert Sonnax shuttle valve into bore with blind bore facing inboard and slipping over outboard stem of Sonnax TCC regulator valve.
- Place O-ring into end plug groove. Lubricate with Sonnax Slippery Stick **O-LUBE** and roll on bench to size.
- Insert Sonnax O-ringed end plug into bore and install OE retainer.

#### 4. Final Testing

A vacuum test at the port indicated holds 18 in.-Hg or more.

